

**MATHIRA WATER AND SANITATION COMPANY LIMITED  
P.O.BOX 1981-10101  
KARATINA**



**TENDER DOCUMENT**

**FOR**

**SUPPLY AND DELIVERY OF PIPES**

**(GI, HDPE, UPVC, PPR, SEWER)**

**MAWASCO/OT/002/2024-2026**

**Closing date: 31<sup>st</sup> May 2024 at 11.00 a.m.**

## TABLE OF CONTENTS

<b>INVITATION TO TENDER</b> .....	<i>vii</i>
<b>Section I - Instructions to Tenderers</b> .....	<b>1</b>
<b>A General Provisions</b> .....	<b>1</b>
2 Fraud and Corruption .....	1
3 Eligible Tenderers .....	1
4 Eligible Goods and Related Services .....	3
<b>B Contents of Request for Tenders Document</b> .....	<b>3</b>
1. Sections of Tendering Document .....	3
6 Clarification of Tender Document.....	4
7 Amendment of Tender Document .....	4
<b>C Preparation of Tenders</b> .....	<b>5</b>
8 Cost of Tendering.....	5
9 Language of Tender.....	5
10 Documents Comprising the Tender.....	5
11 Form of Tender and Price Schedules.....	5
12 Alternative Tenders .....	6
13 Tender Prices and Discounts .....	6
14 Currencies of Tender and Payment .....	7
15 Documents Establishing the Eligibility and Conformity of the Goods and Related Services.....	7
16 Documents Establishing the Eligibility and Qualifications of the Tenderer .....	7
17 Period of Validity of Tenders.....	8
18 Tender Security .....	8
19 Format and Signing of Tender.....	9
<b>D Submission and Opening of Tenders</b> .....	<b>9</b>
20 Sealing and Marking of Tenders .....	9
21 Deadline for Submission of Tenders .....	10
22 Late Tenders.....	10
23 Withdrawal, Substitution, and Modification of Tenders. ....	10
24 Tender Opening.....	10
<b>E Evaluation and Comparison of Tenders</b> .....	<b>11</b>
25 Confidentiality .....	11
26 Clarification of Tenders.....	11
27 Deviations, Reservations, and Omissions .....	12
28 Determination of Responsiveness .....	12
29 Non-conformities, Errors and Omissions .....	12
30 Correction of Arithmetical Errors .....	13
31 Conversion to Single Currency .....	13
32 Margin of Preference and Reservations .....	13
33 Evaluation of Tenders .....	13
34 Comparison of Tenders .....	14
35 Abnormally Low Tenders .....	14
36 Abnormally High Tenders.....	14
37. Post Qualification of the Tenderer.....	15
38. Lowest Evaluated Tender.....	15
39. Procuring Entity's Right to Accept Any Tender, and to Reject Any or All.....	15
<b>F Award of Contract</b> .....	<b>15</b>

40.	Award Criteria.....	15
41.	Notice of Intention to enter into a Contract.....	16
42.	Standstill Period .....	16
43.	Debriefing by the Procuring Entity .....	16
44.	Letter of Award.....	16
45.	Signing of Contract .....	16
46.	Performance Security .....	16
47.	Publication of Procurement Contract .....	17
48.	Procurement Related Complaint .....	17
<b>SECTION II – TENDER DATA SHEET (TDS) .....</b>		<b>18</b>
<b>SECTION III - EVALUATION AND QUALIFICATION CRITERIA.....</b>		<b>22</b>
1.	General Provisions.....	22
2.	Evaluation of Tenders (ITT 33).....	22
3.	Margin of Preference .....	25
4.	Post Qualification of Tenderers (ITT 37) .....	25
<b>SECTION IV - TENDERING FORMS.....</b>		<b>28</b>
	Price Schedule Forms .....	43
	FORM OF TENDER SECURITY - DEMAND BANK GUARANTEE .....	49
	FORM OF TENDER SECURITY (INSURANCE GUARANTEE).....	50
	FORM OF TENDER-SECURING DECLARATION .....	51
	MANUFACTURER’S AUTHORIZATION FORM .....	52
<b>PART 2: SUPPLY REQUIREMENTS.....</b>		<b>53</b>
<b>Section V - Schedule of Requirements.....</b>		<b>53</b>
	Notes for Preparing the Schedule of Requirements.....	53
1.	List of Goods and Delivery Schedule.....	54
2.	List of Related Services and Completion Schedule .....	55
3.	Technical Specifications.....	56
4.	Drawings .....	58
5.	Inspections and Tests.....	59
<b>PART 3 - CONTRACT .....</b>		<b>60</b>
SECTION VI - GENERAL CONDITIONS OF CONTRACT .....		61
SECTION VII - SPECIAL CONDITIONS OF CONTRACT .....		74
SECTION VIII - CONTRACT FORMS .....		78
FORM No. 1: NOTIFICATION OF INTENTION TO AWARD.....		79
FORM No. 2: REQUEST FOR REVIEW .....		82
FORM No. 3: LETTER OF AWARD .....		82
FORM No. 4 - CONTRACT AGREEMENT.....		84
FORM No. 5 - PERFORMANCE SECURITY [Option 1- Unconditional Demand Bank Guarantee].		85
FORM No. 6 - PERFORMANCE SECURITY [Option 2– Performance Bond] .....		86
FORM No. 7 - ADVANCE PAYMENT SECURITY [Demand Bank Guarantee] .....		88
FORM No. 8 - BENEFICIAL OWNERSHIP DISCLOSURE FORM .....		88

## INVITATION TO TENDER

<b>PROCURING ENTITY</b>	<b>Mathira Water and Sanitation Company, Off Gaikuyu-Gitunduti road P.O Box 1981- 10101, Karatina</b>
<b>CONTRACT NAME AND DESCRIPTION:</b>	<b>SUPPLY AND DELIVERY OF WATER PIPES</b>

1. The Mathira Water and Sanitation Company Limited (MAWASCO) invites sealed tenders for the **Supply and Delivery of Pipes under framework agreement for a period of two (2) years** subject to satisfactory performance of the supplier.
2. Tendering will be conducted under Open National Competitive method using a standardized tender document. Tendering is open to all qualified and interested bidders.
3. Qualified and interested tenderers may obtain further information and inspect the Tender Documents during office hours from 8a.m to 1 Pm and 2pm – 4 Pm from Monday to Friday excluding public holiday at the address given below. More details on the goods are provided in **PART 2 - Goods Requirements**.
4. A complete set of tender documents maybe obtained electronically from the Website [www.mawasco.co.ke](http://www.mawasco.co.ke) or through <https://tenders.go.ke>. free of charge.
5. Tenderers who download the tender document must forward their particulars immediately to [info@mawasco.co.ke](mailto:info@mawasco.co.ke) for records purposes and to facilitate any further clarification or addendum.
6. The Tenderer shall chronologically serialize all pages of the tender documents submitted.
7. Completed tenders must be delivered to the address below on or before **31st May, 2024 at 11.00 Am (East Africa Time)**. Electronic submission of Tenders is not be permitted.
8. Tenders will be opened immediately after the deadline date and time specified above or any deadline date and time specified later. Tenders will be publicly opened in the presence of the Tenderers' designated representatives who choose to attend at the address below.
9. Late tenders will be rejected.
10. The addresses referred to above are:

**A. Address for obtaining further information**

**Name of Entity:** Mathira Water and Sanitation Company  
**Location:** Off Gaikuyu-Gitunduti road,  
**Address:** P.O Box 1981- 10101,  
**Email Address:** [info@mawasco.co.ke](mailto:info@mawasco.co.ke)

**B. Address for Submission of Tenders.**

Completed bids shall be deposited in the **Tender Box** located at main offices of Mathira Water and Sanitation Company, Off Gaikuyu-Gitunduti road, Karatina. Bids that are too big to fit in the tender box should be submitted to our reception desk and a tender submission register signed.

C. Address for Opening of Tenders.

**Name of Entity:** Mathira Water and Sanitation Company,  
**Location:** Boardroom,  
**Date:** 31st May 2024,  
**Time:** 11.00 A.M

---

# **PART 1 - TENDERING PROCEDURES**

---

# SECTION I -INSTRUCTIONS TO TENDERERS

## A. General

### 1. Scope of Tender

- 1.1 This tendering document is for the delivery of Non-Consulting Services, as specified in Section V, Procuring Entity's Requirements. The name, identification and number of this tender are specified in the **TDS**.

### 2. Throughout this tendering document:

#### 2.1 The terms:

- a) The term “in writing” means communicated in written form (e.g., by mail, e-mail, fax, including if specified **in the TDS**, distributed or received through the electronic- procurement system used by the Procuring Entity) with proof of receipt;
- b) if the contexts or esquires, “singular” means “plural” and vice versa; and
- c) “Day” means calendar day, unless otherwise specified as “Business Day”. A Business Day is any day that is an official working day of the Procuring Entity. It excludes the Procuring Entity's official public holidays.

- 2.2 The successful Tenderer will be expected to complete the performance of the Services by the Intended Completion Date provided **in the TDS**.

### 3. Fraud and Corruption

- 3.1 The Procuring Entity requires compliance with the provisions of the Public Procurement and Asset Disposal Act, 2015 (the Act), Section 62 “Declaration not to engage in corruption”. The tender submitted by a person shall include a declaration that the person shall not engage in any corrupt or fraudulent practice and a declaration that the person or his or her sub-contractors are not debarred from participating in public procurement proceedings.

- 3.2 The Procuring Entity requires compliance with the provisions of the Competition Act 2010, regarding collusive practices in contracting. Any tenderer found to have engaged in collusive conduct shall be disqualified and criminal and/or civil sanctions may be imposed. To this effect, Tenders shall be required to complete and sign the “Certificate of Independent Tender Determination” annexed to the Form of Tender.

- 3.3 **Unfair Competitive Advantage** - Fairness and transparency in the tender process require that the firms or their Affiliates competing for a specific assignment do not derive a competitive advantage from having provided consulting services related to this tender. To that end, the Procuring Entity shall indicate in the **TDS** and make available to all the firms together with this tender document all Information that would in that respect gives such firm any unfair competitive advantage over competing firms.

- 3.4 Unfair Competitive Advantage-Fairness and transparency in the tender process require that the Firms or their Affiliates competing for a specific assignment do not derive a competitive advantage from having provided consulting services related to this tender. The Procuring Entity shall indicate in the **TDS** firms (if any) that provided consulting services for the contract being tendered for. The Procuring Entity shall check whether the owners or controllers of the Tenderer are same as those that provided consulting services. The Procuring Entity shall, upon request, make available to any tenderer information that would give such firm unfair competitive advantage over competing firms.

## 4 Eligible Tenderers

- 4.1 A Tenderer may be a firm that is a private entity, a state-owned entity or institution subject to ITT 4.6, or any combination of such entities in the form of a Joint Venture (JV) under an existing agreement or with the intent to enter into such an agreement supported by a Form of intent. In the case of a joint venture, all members shall be jointly and severally liable for the execution of the entire Contract in accordance with the Contract terms. The JV shall nominate a Representative who shall have the authority to conduct all business for and on behalf of any and all the members of the JV during the Tendering process and, in the event the JV is awarded the Contract, during contract execution. Members of a joint venture may not also make an individual tender, be a sub contract or in a separate tender or be part of another joint venture for the purposes of the same Tender. The maximum number of JV members shall be specified in the TDS.
- 4.2 Public Officers, of the Procuring Entity, their Spouses, Child, Parent, Brothers or Sister. Child, Parent, Brother or Sister of a Spouse in which they have a substantial or controlling interest shall not be eligible to tender or be awarded contract. Public Officers are also not allowed to participate in any procurement proceedings.
- 4.3 A Tenderer shall not have a conflict of interest. Any Tenderer found to have a conflict of interest shall be disqualified. A Tenderer may be considered to have a conflict of interest for the purpose of this Tendering process, if the Tenderer:
- a Directly or indirectly controls, is controlled by or is under common control with another Tenderer; or
  - b Receives or has received any direct or indirect subsidy from another Tenderer; or
  - c has the same legal representative as another Tenderer; or
  - d has a relationship with another Tenderer, directly or through common third parties, that puts it in a position to influence the Tender of another Tenderer, or influence the decisions of the Procuring Entity regarding this Tendering process; or
  - e or any of its affiliates participated as a consultant in the preparation of the Procuring Entity's Requirements (including Activities Schedules, Performance Specifications and Drawings) for the Non-Consulting Services that are the subject of the Tender; or
  - f or any of its affiliates has been hired (or is proposed to be hired) by the Procuring Entity or Procuring Entity for the Contract implementation; or
  - g would be providing goods, works, or non-consulting services resulting from or directly related to consulting services for the preparation or implementation of the project specified in the TDS ITT 2. 1 that it provided or were provided by any affiliate that directly or indirectly controls, is controlled by, or is under common control with that firm; or
  - h has a close business or family relationship with a professional staff of the Procuring Entity or of the project implementing agency, who:
    - i. are directly or in directly involved in the preparation of the tendering document or specifications of the contract, and/or the Tender evaluation process of such contract; or
    - ii. Would be involved in the implementation or supervision of such contract unless the conflicts teeming from such relationship has been resolved in a manner acceptable to the Procuring Entity throughout the procurement process and execution of the Contract.
- 4.4 A firm that is a Tenderer (either individually or as a JV member) shall not participate in more than one tender, except for permitted alternative Tenders. This includes participation as a subcontractor. Such participation shall result in the disqualification of all Tenders in which the firm is involved. A firm that is not a Tenderer or a JV member may participate as a sub-contractor in more than one Tender.
- 4.5 A Tenderer may have the nationality of any country, subject to the restrictions pursuant to ITT 4 .9.
- 4.6 A Tenderer that has been sanctioned by PPRA or are under a temporary suspension or a debarment imposed by any other entity of the Government of Kenya shall be ineligible to be pre-qualified for, initially selected for,



tender for, propose for, or be awarded a contract during such period of sanctioning. The list of debarred firms and individuals is available at the PPRA Website [www.ppra.go.ke](http://www.ppra.go.ke)

- 4.7 Tenderers that are state-owned enterprises or institutions in Kenya may be eligible to compete and be awarded a Contract(s) only if they can establish that they: (i) are legally and financially autonomous; (ii) operate under Commercial law; and (iii) are not under supervision of the Procuring Entity.
- 4.8 Firms and individuals may be ineligible if (a) as a matter of law or official regulations, Kenya prohibits commercial relations with that country, or (b) by an act of compliance with a decision of the United Nations Security Council take under Chapter VII of the Charter of the United Nations, Kenya prohibits any import of goods or contracting of works or services from that country, or any payments to any country, person or entity in that country.
- 4.9 A Tenderer shall be deemed to have the nationality of a country if the Tenderer is constituted, incorporated or registered in and operates in conformity with the provisions of the laws of that country, as evidenced by its articles of incorporation (or equivalent documents of constitution or association) and its registration documents, as the case may be. This criterion also shall apply to the determination of the nationality of proposed subcontractors or sub consultants for any part of the Contract including related Services.
- 4.10 Foreign tenderers are required to source at least forty (40%) percent of their contract inputs (in supplies, subcontracts and labor) from national suppliers and contractors. To this end, a foreign tenderer shall provide in its tender documentary evidence that this requirement is met. Foreign tenderers not meeting this criterion will be automatically disqualified. Information required to enable the Procuring Entity determine if this condition is met shall be provided in for this purpose is be provided in “*SECTION III-EVALUATION AND QUALIFICATION CRITERIA, Item 9*”.
- 4.11 Pursuant to the eligibility requirements of ITT 4.10, a tender is considered a foreign tenderer, if the tenderer is not registered in Kenya or if the tenderer is registered in Kenya and has less than 51 percent ownership by Kenyan citizens. JVs are considered as foreign tenderers if the individual member firms are not registered in Kenya or if are registered in Kenya and have less than 51 percent ownership by Kenyan citizens. The JV shall not sub contract to foreign firms more than 10 percent of the contract price, excluding provisional sums.
- 4.12 The Competition Act of Kenya requires that firms wishing to tender as Joint Venture undertakings which may prevent, distort or lessen competition in provision of services are prohibited unless they are exempt in accordance with the provisions of Section 25 of the Competition Act, 2010. JVs will be required to seek for exemption from the Competition Authority. Exemption shall not be a condition for tender, but it shall be a condition of contract award and signature. A JV tenderer shall be given opportunity to seek such exemption as a condition of award and signature of contract. Application for exemption from the Competition Authority of Kenya may be accessed from the website [www.cak.go.ke](http://www.cak.go.ke)
- 4.13 A Tenderer may be considered ineligible if he/she offers goods, works and production processes with characteristics that have been declared by the relevant national environmental protection agency or by other competent authority as harmful to human beings and to the environment shall not be eligible for procurement.
- 4.14 A Kenyan tenderer shall be eligible to tender if it provides evidence of having fulfilled his/her tax obligations by producing a valid tax compliance certificate or tax exemption certificate is sued by the Kenya Revenue Authority.

## **5 Qualification of the Tenderer**

- 5.1 All Tenderers shall provide in Section IV, Tendering Forms, a preliminary description of the proposed work method and schedule, including drawings and charts, as necessary.
- 5.2 In the event that pre-qualification of Tenderers has been undertaken as stated in ITT 18.3, the provisions on qualifications of the Section III, Evaluation and Qualification Criteria shall not apply.

## **B. Contents of Tendering Document**

## **6 Sections of Tendering Document**

- 6.1 The tendering document consists of Parts 1, 2, and 3, which include all the sections indicated below and should be read in conjunction with any Addenda issued in accordance with ITT 10.

**PART 1: Tendering Procedures**

- i) Section I - Instructions to Tenderers (ITT)
- ii) Section II - Tender Data Sheet (TDS)
- iii) Section III - Evaluation and Qualification Criteria
- iv) Section IV - Tendering Forms

**PART 2: Procuring Entity's Requirements**

- v) Section V-Procuring Entity's Requirements

**PART 3: Contract**

- vi) Section VI - General Conditions of Contract (GCC)
- vii) Section VII - Special Conditions of Contract (SCC)
- viii) Section VIII - Contract Forms

- 6.2 The Invitation to Tender (ITT) notice or the notice to pre-qualify Tenderers, as the case may be, issued by the Procuring Entity is not part of this tendering document.

- 6.3 Unless obtained directly from the Procuring Entity, the Procuring Entity is not responsible for the completeness of the document, responses to requests for clarification, the Minutes of the pre-Tender meeting (if any), or Addenda to the tendering document in accordance with ITT 10. In case of any contradiction, documents obtained directly from the Procuring Entity shall prevail.

- 6.4 The Tenderer is expected to examine all instructions, forms, terms, and specifications in the tendering document and to furnish with its Tender all information or documentation as is required by the tendering document.

**7 Site visit and Pre-Tender Meeting**

- 7.1 The Procuring Entity shall specify in the **TDS** if a site visit and pre-tender conference will be held, when and where. The Procuring Entity shall also specify in the **TDS** if a pre-arranged pretender site visit will be held and when. The Tenderer's designated representative is invited to attend a pre-arranged pretender visit of the site of the works. The purpose of the meeting will be to clarify issues and to answer questions on any matter that may be raised at that stage.

- 7.2 The Tenderer is requested to submit any questions in writing, to reach the Procuring Entity not later than the period specified in the **TDS** before the meeting.

- 7.3 Minutes of the pre-Tender meeting and the pre-arranged pre tender visit of the site of the service, if applicable, including the text of the questions asked by Tenderers and the responses given, together with any responses prepared after the meeting, will be transmitted promptly to all Tenderers who have acquired the Tender Documents in accordance with ITT6.3. Minutes shall not identify the source of the questions asked.

- 7.4 The Procuring Entity shall also promptly publish anonymized (*no names*) Minutes of the pre-Tender meeting and the pre-arranged pretender visit of the site of the service at the web page identified **in the TDS**. Any modification to the Tender Documents that may become necessary as a result of the pre-Tender meeting shall be made by the Procuring Entity exclusively through the issue of an Addendum pursuant to ITT10 and not through the minutes of the pre-Tender meeting. Nonattendance at the pre-Tender meeting will not be a cause for disqualification of a Tenderer.

**8 Clarification of Tender Documents**

- 8.1 A Tenderer requiring any clarification of the Tender Document shall contact the Procuring Entity in writing at the Procuring Entity's address specified in the TDS or raise its enquiries during the pre-Tender meeting and the pre- arranged pretender visit of the site of the Service if provided for in accordance with ITT 8.4. The Procuring Entity will respond in writing to any request for clarification, provided that such request is received no later than the period specified in the **TDS** prior to the deadline for submission of tenders. The Procuring Entity shall forward copies of its response to all tenderers who have acquired the Tender Documents in

accordance with ITT 6.3, including a description of the inquiry but without identifying its source. If so specified in the **TDS**, the Procuring Entity shall also promptly publish its response at the webpage identified in the **TDS**. Should the clarification result in changes to the essential elements of the Tender Documents, the Procuring Entity shall amend the Tender Documents appropriately following the procedure under ITT 8.4.

## 9 Amendment of Tender Documents

- 9.1 At any time prior to the deadline for submission of Tenders, the Procuring Entity may amend the Tendering document by issuing addenda.
- 9.2 Any addendum issued shall be part of the tendering document and shall be communicated in writing to all who have obtained the tendering document from the Procuring Entity in accordance with ITT 6.3. The Procuring Entity shall also promptly publish the addendum on the Procuring Entity's web page in accordance with ITT 8.4.
- 9.3 To give prospective Tenderers reasonable time in which to take an addendum into account in preparing their Tenders, the Procuring Entity shall extend, as necessary, the deadline for submission of Tenders, in accordance with ITT 24.2 below.

## C. Preparation of Tenders

### 10 Cost of Tendering

- 10.1 The Tenderer shall bear all costs associated with the preparation and submission of its Tender, and the Procuring Entity shall not be responsible or liable for those costs, regardless of the conduct or outcome of the Tendering process.

### 11 Language of Tender

- 11.1 The Tender as well as all correspondence and documents relating to the Tender exchanged by the Tenderer and the Procuring Entity shall be written in the English language. Supporting documents and printed literature that are part of the Tender may be in another language provided they are accompanied by an accurate translation of the relevant passages into the English language, in which case, for purposes of interpretation of the Tender, such translation shall govern.

### 12 Documents Comprising the Tender

- 12.1 The Tender shall comprise the following:
  - a **Form of Tender** prepared in accordance with ITT 14;
  - b **Schedules:** priced Activity Schedule completed in accordance with ITT 14 and ITT 16;
  - c **Tender Security or Tender-Securing Declaration** in accordance with ITT 21.1;
  - d **Alternative Tender:** if permissible in accordance with ITT 15;
  - e **Authorization:** written confirmation authorizing the signatory of the Tender to commit the Tenderer, in accordance with ITT 22.3;
  - f **Qualifications:** documentary evidence in accordance with ITT 19 establishing the Tenderer's qualifications to perform the Contract if its Tender is accepted;
  - g **Tenderer's Eligibility:** documentary evidence in accordance with ITT 19 establishing the Tenderer's eligibility to Tender;
  - h **Conformity:** documentary evidence in accordance with ITT 18, that the Services conform to the tendering document; and
  - i Any other document required in the **TDS**.

The Tenderer shall chronologically serialize pages of all tender documents submitted.

- 12.2 In addition to the requirements under ITT 13.1, Tenders submitted by a JV shall include a copy of the Joint

Venture Agreement entered into by all members. Alternatively, a Form of intent to execute a Joint Venture Agreement in the event of a successful Tender shall be signed by all members and submitted with the Tender, together with a copy of the proposed Agreement.

13.3 The Tenderer shall furnish in the Form of Tender information on commissions and gratuities, if any, paid or to be paid to agents or any other party relating to this Tender.

### 13 Form of Tender and Activity Schedule

13.1 The Form of Tender and priced Activity Schedule shall be prepared using the relevant forms furnished in Section IV, Tendering Forms. The forms must be completed without any alterations to the text, and no substitutes shall be accepted except as provided under ITT 22.3. All blank spaces shall be filled in with the information requested.

14.2 The Tenderer shall furnish in the Form of Tender information on commissions and gratuities, if any, paid or to be paid to agents or any other party relating to this Tender.

### 14 Alternative Tenders

14.1 Unless otherwise indicated **in the TDS**, alternative Tenders shall not be considered. If alternatives are permitted, only the technical alternatives, if any, of the Best Evaluated Tender shall be considered by the Procuring Entity.

14.2 When alternative times for completion are explicitly invited, a statement to that effect will be included **in the TDS** and the method of evaluating different time schedules will be described in Section III, Evaluation and Qualification Criteria.

14.3 When specified **in the TDS**, Tenderers are required to submit alternative technical solutions for specified parts of the Services, and such parts will be identified **in the TDS**, as will the method for their evaluating, and described in Section VII, Procuring Entity's Requirements.

### 16. Tender Prices and Discounts

16.1 The prices and discounts (including any price reduction) quoted by the Tenderer in the Form of Tender and in the Activity Schedule (s) shall conform to the requirements specified below.

16.2 All lots (contracts) and items must be listed and priced separately in the Activity Schedule(s).

16.3 The Contract shall be for the Services, as described in Appendix A to the Contract and in the Specifications (or Terms of Reference), based on the priced Activity Schedule, submitted by the Tenderer.

16.4 The Tenderer shall quote any discounts and indicate the methodology for their application in the Form of Tender in accordance with ITT 16.1.

16.5 The Tenderer shall fill in rates and prices for all items of the Services described in the Specifications (or Terms of Reference), and listed in the Activity Schedule in Section VII, Procuring Entity's Requirements. Items for which no rate or price is entered by the Tenderer will not be paid for by the Procuring Entity when executed and shall be deemed covered by the other rates and prices in the Activity Schedule.

16.6 All duties, taxes, and other levies payable by the Service Provider under the Contract, or for any other cause, as of the date 30 days prior to the deadline for submission of Tenders, shall be included in the total Tender price submitted by the Tenderer.

16.7 If provided for **in the TDS**, the rates and prices quoted by the Tenderer shall be subject to adjustment during the performance of the Contract in accordance with and the provisions of Clause 6.6 of the General Conditions of Contract and / or Special Conditions of Contract. The Tenderer shall submit with the Tender all the information required under the Special Conditions of Contract and of the General Conditions of Contract.

16.8 For the purpose of determining the remuneration due for additional Services, a breakdown of the lump-sum price shall be provided by the Tenderer in the form of Appendices D and E to the Contract.

## 17 Currencies of Tender and Payment

17.1 The currency of the Tender and the currency of payments shall be Kenya Shillings.

## 18 Documents Establishing Conformity of Services

18.1 To establish the conformity of the Non-Consulting Services to the tendering document, the Tenderer shall furnish as part of its Tender the documentary evidence that Services provided conform to the technical specifications and standards specified in Section VII, Procuring Entity's Requirements.

18.2 Standards for provision of the Non-Consulting Services are intended to be descriptive only and not restrictive. The Tenderer may offer other standards of quality provided that it demonstrates, to the Procuring Entity's satisfaction, that the substitutions ensure substantial equivalence or are superior to those specified in the Section VII, Procuring Entity's Requirements.

18.3 Tenderer to provide, as part of the data for qualification, such information, including details of ownership, as shall be required to determine whether, according to the classification established by the Procuring Entity, a Service provider or group of service providers, qualifies for a margin of preference. Further the information will enable the Procuring Entity identify any actual or potential conflict of interest in relation to the procurement and/or contract management processes, or a possibility of collusion between tenderers, and thereby help to prevent any corrupt influence in relation to the procurement processor contract management.

18.4 The purpose of the information described in ITT 18.3 above, overrides any claims to confidentiality which a tenderer may have. There can be no circumstances in which it would be justified for a tenderer to keep information relating to its ownership and control confidential where it is tendering to undertake public sector work and receive public sector funds. Thus, confidentiality will not be accepted by the Procuring Entity as a justification for a Tenderer's failure to disclose, or failure to provide required information on its ownership and control.

18.4 The Tenderer shall provide further documentary proof, information or authorizations that the Procuring Entity may request in relation to ownership and control which information on any changes to the information which was provided by the tenderer under ITT18.3. The obligations to require this information shall continue for the duration of the procurement process and contract performance and after completion of the contract, if any change to the information previously provided may reveal a conflict of interest in relation to the award or management of the contract.

18.6 All information provided by the tenderer pursuant to these requirements must be complete, current and accurate as at the date of provision to the Procuring Entity. In submitting the information required pursuant to these requirements, the Tenderer shall warrant that the information submitted is complete, current and accurate as at the date of submission to the Procuring Entity.

18.7 If a tenderer fails to submit the information required by these requirements, its tenderer will be rejected. Similarly, if the Procuring Entity is unable, after taking reasonable steps, to verify to a reasonable degree the information submitted by a tenderer pursuant to these requirements, then the tender will be rejected.

18.8 If information submitted by a tenderer pursuant to these requirements, or obtained by the Procuring Entity (whether through its own enquiries, through notification by the public or otherwise), shows any conflict of interest which could materially and improperly benefit the tenderer in relation to the procurement or contract management process, then:

- i) If the procurement process is still on going, the tenderer will be disqualified from the procurement process,
- ii) if the contract has been awarded to that tenderer, the contract award will be set aside, pending the outcome of (iii),
- iii) The tenderer will be referred to the relevant law enforcement authorities for investigation of whether the tenderer or any other persons have committed any criminal offence.

18.9 If a tenderer submits information pursuant to these requirements that is incomplete, inaccurate or out-of-date, or attempts to obstruct the verification process, then the consequences ITT 18.9 will ensue unless the tenderer can show to the reasonable satisfaction of the Procuring Entity that any such act was not material, or was due

to genuine error or which was not attributable to the intentional act, negligence or recklessness of the tenderer.

## **19 Documents Establishing the Eligibility and Qualifications of the Tenderer**

- 19.1 To establish Tenderer's their eligibility in accordance with ITT4, Tenderers shall complete the Form of Tender, included in Section IV, Tendering Forms.
- 19.2 The documentary evidence of the Tenderer's qualification stopper form the Contract if its Tender is accepted shall establish to the Procuring Entity's satisfaction that the Tenderer meets each of the qualification criterion specified in Section III, Evaluation and Qualification Criteria.
- 19.3 All Tenderers shall provide in Section IV, Tendering Forms, a preliminary description of the proposed methodology, work plan and schedule.
- 19.4 In the event that pre-qualification of Tenderers has been undertaken, only Tenders from prequalified Tenderers shall be considered for award of Contract. These qualified Tenderers should submit with their Tenders any information updating their original pre-qualification applications or, alternatively, confirm in their Tenders that the originally submitted pre-qualification information remains essentially correct as of the date of Tender submission.
- 19.5 If pre-qualification has not taken place before Tendering, the qualification criteria for the Tenderers are specified- in Section III, Evaluation and Qualification Criteria.

## **20 Period of Validity of Tenders**

- 20.1 Tenders shall remain valid for the Tender Validity period specified in the TDS. The Tender Validity period starts from the date fixed for the Tender submission deadline date (as prescribed by the Procuring Entity in accordance with ITT 24.1). A Tender valid for a shorter period shall be rejected by the Procuring Entity as non-responsive.
- 20.2 In exceptional circumstances, prior to the expiration of the Tender validity period, the Procuring Entity may request Tenderers to extend the period of validity of their Tenders. The request and the responses shall be made in writing. If a Tender Security is requested in accordance with ITT20, it shall also be extended for a corresponding period. A Tenderer may refuse the request without forfeiting its Tender Security. A Tenderer granting the request shall not be required or permitted to modify its Tender.

## **21 Tender Security**

- 21.1 The Tenderer shall furnish as part of its Tender, either a Tender-Securing Declaration or a Tender security, as specified **in the TDS**, in original form and, in the case of a Tender Security, in the amount and currency specified **in the TDS**.
- 21.2 A Tender Securing Declaration shall use the form included in Section IV, Tendering Forms.
- 21.3 If a Tender Security is specified pursuant to ITT 21.1, from a reputable source, and an eligible country and shall be in any of the following forms at the Tenderer's option:
- i) cash;
  - ii) a bank guarantee;
  - iii) a guarantee by an insurance company registered and licensed by the Insurance Regulatory Authority listed by the Authority; or
  - iv) a guarantee issued by a financial institution approved and licensed by the Central Bank of Kenya,
- 21.4 If a Tender Security is specified pursuant to ITT 20.1, any Tender not accompanied by a substantially responsive Tender Security shall be rejected by the Procuring Entity as non-responsive.
- 21.5 If a Tender Security is specified pursuant to ITT 21.1, the Tender Security of unsuccessful Tenderers shall be returned as promptly as possible upon the successful Tenderer's signing the contract and furnishing the Performance Security pursuant to ITT 46. The Procuring Entity shall also promptly return the tender security

to the tenderers where the procurement proceedings are terminated, all tenders were determined non-responsive or a bidder declines to extend tender validity period.

- 21.6 The Tender Security of the successful Tenderer shall be returned as promptly as possible once the successful Tenderer has signed the Contract and furnished the required Performance Security.
- 21.7 The Tender Security may be forfeited or the Tender-Securing Declaration executed:
- a. If a Tenderer withdraws its Tender during the period of Tender validity specified by the Tenderer in the Form of Tender, or any extension thereof provided by the Tenderer; or
  - b. if the successful Tenderer fails to:
  - c. sign the Contract in accordance with ITT 46; or
  - d. Furnish a performance security in accordance with ITT 47.
- 21.8 Where tender securing declaration is executed, the Procuring Entity shall recommend to the PPRA that PPRA debar the Tenderer from participating in public procurement as provided in the law.
- 21.9 The Tender Security or Tender-Securing Declaration of a JV must be in the name of the JV that submits the Tender. If the JV has not been legally constituted into a legally enforceable JV at the time of Tendering, the Tender security or Tender-Securing Declaration shall be in the names of all future members as named in the Form of intent referred to in ITT 4.1 and ITT 13.2.
- 21.10A tenderer shall not issue a tender security to guarantee itself.

## **22 Format and Signing of Tender**

- 22.1 The Tenderer shall prepare one original of the documents comprising the Tender as described in ITT 13, bound with the volume containing the Form of Tender, and clearly marked "Original." In addition, the Tenderer shall submit copies of the Tender, in the number specified in the TDS, and clearly marked as "Copies." In the event of discrepancy between them, the original shall prevail.
- 22.2 Tenderers shall mark as "CONFIDENTIAL" information in their Tenders which is confidential to their business. This may include proprietary information, trade secrets, or commercial or financially sensitive information.
- 22.3 The original and all copies of the Tender shall be typed or written in indelible ink and shall be signed by a person or persons duly authorized to sign on behalf of the Tenderer. This authorization shall consist of a written confirmation as specified in the TDS and shall be attached to the Tender. The name and position held by each person signing the authorization must be typed or printed below the signature. All pages of the Tender where entries or amendments have been made shall be signed or initialed by the person signing the Tender.
- 22.4 In case the Tenderer is a JV, the Tender shall be signed by an authorized representative of the JV on behalf of the JV, and so as to be legally binding on all the members as evidenced by a power of attorney signed by their legally authorized representatives.
- 22.5 Any inter-lineation, erasures, or overwriting shall be valid only if they are signed or initialed by the person signing the Tender.

## **D. Submission and Opening of Tenders**

### **23 Sealing and Marking of Tenders**

- 23.1 Depending on the sizes or quantities or weight of the tender documents, a tenderer may use an envelope, package or container. The Tenderer shall deliver the Tender in a single sealed envelope, or in a single sealed package, or in a single sealed container bearing the name and Reference number of the Tender, addressed to the Procuring Entity and a warning not to open before the time and date for Tender opening date. Within the single envelope, package or container, the Tenderer shall place the following separate, sealed envelopes:
- a. in an envelope or package or container marked "ORIGINAL", all documents comprising the Tender, as

described in ITT13; and

- b. in an envelope or package or container marked “COPIES”, all required copies of the Tender; and
- c. if alternative Tenders are permitted in accordance with ITT15, and if relevant:
  - i. in an envelope or package or container marked “ORIGINAL–ALTERNATIVE TENDER”, the alternative Tender; and
  - ii. in the envelope or package or container marked “COPIES- ALTERNATIVE TENDER”, all required copies of the alternative Tender.

The inner envelopes or packages or containers shall:

- a) Bear the name and address of the Procuring Entity.
- b) Bear the name and address of the Tenderer; and
- c) Bear the name and Reference number of the Tender.

23.2 If an envelope or package or container is not sealed and marked as required, the *Procuring Entity* will assume no responsibility for the misplacement or premature opening of the Tender. Tenders misplaced or opened prematurely will not be accepted.

## 24 Deadline for Submission of Tenders

24.1 Tenders must be received by the Procuring Entity at the address and no later than the date and time specified **in the TDS**. When so specified **in the TDS**, Tenderers shall have the option of submitting their Tenders electronically. Tenderers submitting Tenders electronically shall follow the electronic Tender submission procedures specified **in the TDS**.

24.2 The Procuring Entity may, at its discretion, extend the deadline for the submission of Tenders by amending the tendering document in accordance with ITT9, in which case all rights and obligations of the Procuring Entity and Tenderers previously subject to the deadline shall thereafter be subject to the deadline as extended.

## 25 Late Tenders

25.1 The Procuring Entity shall not consider any Tender that arrives after the dead line for submission of Tenders, in accordance with ITT 24. Any Tender received by the Procuring Entity after the deadline for submission of Tenders shall be declared late, rejected, and returned unopened to the Tenderer.

## 26 Withdrawal, Substitution and Modification of Tenders

26.1 A Tenderer may withdraw, substitute, or modify its Tender after it has been submitted by sending a written notice, duly signed by a n authorized representative, and shall include a copy of the authorization (the power of attorney) in accordance with ITT 21.3, (except that withdrawal notices do not require copies). The corresponding substitution or modification of the Tender must accompany the respective written notice. All notices must be:

- a) Prepared and submitted in accordance with ITT 21 and ITT 22 (except that withdrawal notices do not require copies), and in addition, the respective envelopes shall be clearly marked “WITHDRAWAL,” “SUBSTITUTION,” or “MODIFICATION;” and
- b) Received by the Procuring Entity prior to the deadline prescribed for submission of Tenders, in accordance with ITT 23.

26.2 Tenders requested to be withdrawn in accordance with ITT 25.1 shall be returned unopened to the Tenderers.

26.3 No Tender may be withdrawn, substituted, or modified in the interval between the deadline for submission of Tenders and the expiration of the period of Tender validity specified by the Tenderer on the Form of Tender or any extension thereof.

## 27 Tender Opening

27.1 Except as in the cases specified in ITT 23 and ITT 25.2, the Procuring Entity shall, at the Tender opening, publicly open and read out all Tenders received by the deadline at the date, time and place specified **in the TDS** in the presence of Tenderers' designated representatives and anyone who choose to attend. Any specific electronic Tender opening procedures required if electronic tendering is permitted in accordance with ITT 23.1



shall be as specified **in the TDS**.

- 27.2 First, envelopes marked “WITHDRAWAL” shall be opened and read out and the envelope with the corresponding Tender shall not be opened, but returned to the Tenderer. If the withdrawal envelope does not contain a copy of the “power of attorney” confirming the signature as a person duly authorized to sign on behalf of the Tenderer, the corresponding Tender will be opened. No Tender withdrawal shall be permitted unless the corresponding withdrawal notice contains a valid authorization to request the withdrawal and is read out at Tender opening.
- 27.3 Next, envelopes marked “SUBSTITUTION” shall be opened and read out and exchanged with the corresponding Tender being substituted, and the substituted Tender shall not be opened, but returned to the Tenderer. No Tender substitution shall be permitted unless the corresponding substitution notice contains a valid authorization to request the substitution and is read out at Tender opening.
- 27.4 Next, envelopes marked “MODIFICATION” shall be opened and read out with the corresponding Tender. No Tender modification shall be permitted unless the corresponding modification notice contains a valid authorization to request the modification and is read out at Tender opening.
- 27.5 Next, all remaining envelopes shall be opened one at a time, reading out: the name of the Tenderer and whether there is a modification; the total Tender Prices, per lot (contract) if applicable, including any discounts and alternative Tenders; the presence or absence of a Tender Security or Tender-Securing Declaration, if required; and any other details as the Procuring Entity may consider appropriate.
- 27.6 Only Tenders, alternative Tenders and discounts that are opened and read out at Tender opening shall be considered further. The Form of Tender and the priced Activity Schedule are to be initialed by representatives of the Procuring Entity attending Tender opening in the manner specified **in the TDS**.
- 27.7 The Procuring Entity shall neither discuss the merits of any Tender nor reject any Tender (except for late Tenders, in accordance with ITT25.1).
- 27.8 The Procuring Entity shall prepare a record of the Tender opening that shall include, as a minimum:
- a) The name of the Tenderer and whether there is a withdrawal, substitution, or modification;
  - b) The Tender Price, per lot (contract) if applicable, including any discounts; and
  - c) any alternative Tenders;
  - d) The presence or absence of a Tender Security or Tender-Securing Declaration, if one was required.
  - e) Number of pages of each tender document submitted
- 27.9 The Tenderers' representatives who are present shall be requested to sign the record. The omission of a Tenderer's signature on the record shall not invalidate the contents and effect of the record. A copy of the tender opening register shall be distributed to Tenderer upon request.

## **E. Evaluation and Comparison of Tenders**

### **28 Confidentiality**

- 28.1 Information relating to the evaluation of Tenders and recommendation of contract award, shall not be disclosed to Tenderers or any other persons not officially concerned with the Tendering process until information on the Intention to Award the Contract is transmitted to all Tenderers in accordance with ITT 42.
- 28.2 Any effort by a Tenderer to influence the Procuring Entity in the evaluation or contract award decisions may result in the rejection of its Tender.
- 28.3 Notwithstanding ITT 28.2, from the time of Tender opening to the time of Contract Award, if any Tenderer wishes to contact the Procuring Entity on any matter related to the Tendering process, it should do so in writing.

### **29 Clarification of Tenders**

- 29.1 To assist in the examination, evaluation, and comparison of Tenders, and qualification of the Tenderers, the

Procuring Entity may, at the Procuring Entity's discretion, ask any tenderer for clarification of its Tender including break downs of the prices in the Activity Schedule, and other information that the Procuring Entity may require. Any clarification submitted by a Tenderer in respect to its Tender and that is not in response to a request by the Procuring Entity shall not be considered. The Procuring Entity's request for clarification and the response shall be in writing. No change, including any voluntary increase or decrease, in the prices or substance of the Tender shall be sought, offered, or permitted, except to confirm the correction of arithmetic errors discovered by the Procuring Entity in the evaluation of the Tenders, in accordance with ITT32.

29.2 If a Tenderer does not provide clarifications of its Tender by the date and time set in the Procuring Entity's request for clarification, its Tender may be rejected.

### **30 Deviations, Reservations, and Omissions**

30.1 During the evaluation of Tenders, the following definitions apply:

- a) "Deviation" is a departure from the requirements specified in the tendering document;
- b) "Reservation" is the setting of limiting conditions or withholding from complete acceptance of the requirements specified in the tendering document; and
- c) "Omission" is the failure to submit part or all of the information or documentation required in the tendering document.

### **31 Determination of Responsiveness**

31.1 The Procuring Entity's determination of a Tender's responsiveness is to be based on the contents of the Tender itself, as defined in ITT 12.

31.2 A substantially responsive Tender is one that meets the requirements of the tendering document without material deviation, reservation, or omission. A material deviation, reservation, or omission is one that:

- a) If accepted, would:
  - i. affect in any substantial way the scope, quality, or performance of the Non-Consulting Services specified in the Contract; or
  - ii. limit in any substantial way, inconsistent with the tendering document, the Procuring Entity's rights or the Tenderer's obligations under the Contract; or
- b) if rectified, would unfairly affect the competitive position of other Tenderers presenting substantially responsive Tenders.

31.3 The Procuring Entity shall examine the technical aspects of the Tender submitted in accordance with ITT 18 and ITT 19, in particular, to confirm that all requirements of Section VII, Procuring Entity's Requirements have been met without any material deviation or reservation, or omission.

31.4 If a Tender is not substantially responsive to the requirements of tendering document, it shall be rejected by the Procuring Entity and may not subsequently be made responsive by correction of the material deviation, reservation, or omission.

31.5 Provided that a Tender is substantially responsive, the Procuring Entity may waive any non-conformity in the Tender.

31.6 Provided that a Tender is substantially responsive, the Procuring Entity may request that the Tenderer submit the necessary information or documentation, within a reasonable period of time, to rectify nonmaterial non-conformities or omissions in the Tender related to documentation requirements. Requesting information or documentation on such non-conformities shall not be related to any aspect of the price of the Tender. Failure of the Tenderer to comply with the request may result in the rejection of its Tender.

31.7 Provided that a Tender is substantially responsive, the Procuring Entity shall rectify quantifiable nonmaterial non-conformities related to the Tender Price. To this effect, the Tender Price shall be adjusted, for comparison purposes only, to reflect the price of a missing or non-conforming item or component in the manner specified **in the TDS.**

## 32 Arithmetical Errors

- 32.1 The tender sum as submitted and read out during the tender opening shall be absolute and final and shall not be the subject of correction, adjustment or amendment in any way by any person or entity.
- 32.2 Provided that the Tender is substantially responsive, the Procuring Entity shall handle errors on the following basis:
- a) Any error detected if considered a major deviation that affects the substance of the tender, shall lead to disqualification of the tender as non-responsive.
  - b) Any errors in the submitted tender arising from a miscalculation of unit price, quantity, subtotal and total bid price shall be considered as a major deviation that affects the substance of the tender and shall lead to disqualification of the tender as non-responsive .and
  - c) If there is a discrepancy between words and figures, the amount in words shall prevail
- 32.3 Tenderers shall be notified of any error detected in their bid during the notification of a ward.

## 33 Conversion to Single Currency

- 33.1 For evaluation and comparison purposes, the currency(ies) of the Tender shall be converted into a single currency **as specified in the TDS**.

## 34 Margin of Preference and Reservations

- 34.1 Margin of preference on local service providers may be allowed if it is deemed that the services require participation of foreign tenderers. If so allowed, it will be indicated in the **TDS**.
- 34.2 Where it is intended to reserve the contract to specific groups under Small and Medium Enterprises, or enterprise of women, youth and /or persons living with disability, who are appropriately registered as such by the authority to be specified in the **TDS**, a procuring entity shall ensure that the invitation to tender specifically indicates that only businesses/firms belonging to the specified group are eligible to tender as specified in the **TDS**. Otherwise, if not so stated, the invitation will be open to all tenderers.

## 35 Evaluation of Tenders

- 35.1 The Procuring Entity shall use the criteria and methodologies listed in this ITT and Section III, Evaluation and Qualification Criteria. No other evaluation criteria or methodologies shall be permitted. By applying the criteria and methodologies, the Procuring Entity shall determine the Best Evaluated Tender. This is the Tender of the Tenderer that meets the qualification criteria and whose Tender has been determined to be:
- a) Substantially responsive to the tendering document; and
  - b) The lowest evaluated cost.
- 35.2 In evaluating the Tenders, the Procuring Entity will determine for each Tender the evaluated Tender cost by adjusting the Tender price as follows:
- a) Price adjustment due to discounts offered in accordance with ITT 16.4;
  - b) price adjustment due to quantifiable non material non-conformities in accordance with ITT 31.3;
  - c) converting the amount resulting from applying (a) and (b) above, if relevant, to a single currency in accordance with ITT33; and
  - d) any additional evaluation factors specified **in the TDS** and Section III, Evaluation and Qualification Criteria.
- 35.3 The estimated effect of the price adjustment provisions of the Conditions of Contract, applied over the period of execution of the Contract, shall not be considered in Tender evaluation.
- 35.4 In the case of multiple contracts or lots, Tenderers are allowed to tender for one or more lots and the

methodology to determine the lowest evaluated cost of the lot (contract) and for combinations, including any discounts offered in the Form of Tender, is specified in Section III, Evaluation and Qualification Criteria. For one or more lots (contracts). Each lot or contract will be evaluated in accordance with ITT

- 35.5. The methodology to determine the lowest evaluated tenderer or tenderers based one lot (contract) or based on a combination of lots (contracts), will be specified in Section III, Evaluation and Qualification Criteria. In the case of multiple lots or contracts, tenderer will be will be required to prepare the Eligibility and Qualification Criteria Form for each Lot.

## **36 Comparison of Tenders**

- 36.1 The Procuring Entity shall compare the evaluated costs of all substantially responsive Tenders established in accordance with ITT 35.2 to determine the Tender that has the lowest evaluated cost.

## **37 Abnormally Low and Abnormally High Tenders**

### **Abnormally Low Tenders**

- 37.1 An Abnormally Low Tender is one where the Tender price, in combination with other elements of the Tender, appears so low that it raises material concerns as to the capability of the Tenderer in regards to the Tenderer's ability to perform the Contract for the offered Tender Price.
- 37.2 In the event of identification of a potentially Abnormally Low Tender, the Procuring Entity shall seek written clarifications from the Tenderer, including detailed price analyses of its Tender price in relation to the subject matter of the contract, scope, proposed methodology, schedule, allocation of risks and responsibilities and any other requirements of the Tender document.
- 37.3 After evaluation of the price analyses, in the event that the Procuring Entity determines that the Tenderer has failed to demonstrate its capability to perform the Contract for the offered Tender Price, the Procuring Entity shall reject the Tender.

### **Abnormally High Tenders**

- 37.4 An abnormally high price is one where the tender price, in combination with other constituent elements of the Tender, appears unreasonably too high to the extent that the Procuring Entity is concerned that it (the Procuring Entity) may not be getting value for money or it may be paying too high a price for the contract compared with market prices or that genuine competition between Tenderers is compromised.
- 37.5 In case of an abnormally high price, the Procuring Entity shall make a survey of the market prices, check if the estimated cost of the contract is correct and review the Tender Documents to check if he specifications, scope of work and conditions of contract are contributory to the abnormally high tenders. The Procuring Entity may also seek written clarification from the tenderer on the reason for the high tender price. The Procuring Entity shall proceed as follows:
- i) If the tender price is abnormally high based on wrong estimated cost of the contract, the Procuring Entity may accept or not accept the tender depending on the Procuring Entity's budget considerations.
  - ii) If specifications, scope of work and/or conditions of contract are contributory to the abnormally high tender prices, the Procuring Entity shall reject all tenders and may retender for the contract based on revised estimates, specifications, scope of work and conditions of contract, as the case maybe.
- 37.6 If the Procuring Entity determines that the Tender Price is abnormally too high because genuine competition between tenderers is compromised (*often due to collusion, corruption or other manipulations*), the Procuring Entity shall reject all Tenders and shall institute or cause competent Government Agencies to institute an investigation on the cause of the compromise, before retendering.

## **38 Unbalanced and/or Front-Loaded Tenders**

- 38.1 If in the Procuring Entity's opinion, the Tender that is evaluated as the lowest evaluated price is seriously unbalanced and/or front loaded, the Procuring Entity may require the Tenderer to provide written clarifications. Clarifications may include detailed price analyses to demonstrate the consistency of the tender prices with the

scope of works, proposed methodology, schedule and any other requirements of the Tender document.

- 38.2 After the evaluation of the information and detailed price analyses presented by the Tenderer, the Procuring Entity may as appropriate:
- a) Accept the Tender; or
  - b) require that the total amount of the Performance Security be increased at the expense of the Tenderer to a level not exceeding 10% of the Contract Price; or
  - c) agree on a payment mode that eliminates the inherent risk of the Procuring Entity paying too much for undelivered works; or
  - d) Reject the Tender.

### **39 Qualification of the Tenderer**

- 39.1 The Procuring Entity shall determine to its satisfaction whether the Tenderer that is selected as having submitted the lowest evaluated cost and substantially responsive Tender is eligible and meets the qualifying criteria specified in Section III, Evaluation and Qualification Criteria.
- 39.2 The determination shall be based upon an examination of the documentary evidence of the Tenderer's qualifications submitted by the Tenderer, pursuant to ITT 18. The determination shall not take into consideration the qualifications of other firms such as the Tenderer's subsidiaries, parent entities, affiliates, subcontractors or any other firm(s) different from the Tenderer that submitted the Tender.
- 39.3 An affirmative determination shall be a prerequisite for award of the Contract to the Tenderer. A negative determination shall result in disqualification of the Tender, in which event the Procuring Entity shall proceed to the Tenderer who offers a substantially responsive Tender with the next lowest evaluated cost to make a similar determination of that Tenderer's qualifications to perform satisfactorily.

### **40 Procuring Entity's Right to Accept Any Tender, and to Reject Any or All Tenders**

- 40.1 The Procuring Entity reserves the right to accept or reject any Tender, and to annul the Tendering process and reject all Tenders at any time prior to Contract Award, without there by incurring any liability to Tenderers. In case of annulment, all Tenders submitted and specifically, Tender securities, shall be promptly returned to the Tenderers.

## **F. Award of Contract**

### **41 Award Criteria**

- 41.1 The Procuring Entity shall award the Contract to the successful tenderer whose tender has been determined to be the Lowest Evaluated Tender.

### **42 Notice of Intention to enter in to a Contract**

- 42.1 Upon award of the contract and Prior to the expiry of the Tender Validity Period the Procuring Entity shall issue a Notification of Intention to Enter into a Contract/Notification of a ward to all tenderers which shall contain, at a minimum, the following information:
- a) The name and address of the Tenderer submitting the successful tender;
  - b) The Contract price of the successful tender;
  - c) a statement of the reason(s) the tender of the unsuccessful tenderer to whom the letter is addressed was unsuccessful, unless the price information in(c) above already reveals the reason;
  - d) the expiry date of the Stand still Period; and
  - e) instructions on how to request a debriefing and/or submit a complaint during the stand still period;

### **43 Stand still Period**

43.1 The Contract shall not be signed earlier than the expiry of a Standstill Period of 14 days to allow any dissatisfied tender to launch a complaint. Where only one Tender is submitted, the Standstill Period shall not apply.

43.2 Where a Standstill Period applies, it shall commence when the Procuring Entity has transmitted to each Tenderer the Notification of Intention to Enter in to a Contract with the successful Tenderer.

#### **44 Debriefing by the Procuring Entity**

44.1 On receipt of the Procuring Entity's Notification of Intention to Enter into a Contract referred to in ITT 42, an unsuccessful tenderer may make a written request to the Procuring Entity for a debriefing on specific issues or concerns regarding their tender. The Procuring Entity shall provide the debriefing within five days of receipt of the request.

44.2 Debriefings of unsuccessful Tenderers may be done in writing or verbally. The Tenderer shall bear its own costs of attending such a debriefing meeting.

#### **45 Letter of Award**

Prior to the expiry of the Tender Validity Period and upon expiry of the Standstill Period specified in ITT 43.1, upon addressing a complaint that has been filed within the Standstill Period, the Procuring Entity shall transmit the Letter of Award to the successful Tenderer. The letter of award shall request the successful tenderer to furnish the Performance Security within 21 days of the date of the letter.

#### **46 Signing of Contract**

46.1 Upon the expiry of the fourteen days of the Notification of Intention to enter into contract and upon the parties meeting their respective statutory requirements, the Procuring Entity shall send the successful Tenderer the Contract Agreement.

46.2 Within fourteen (14) days of receipt of the Contract Agreement, the successful Tenderer shall sign, date, and return it to the Procuring Entity.

46.3 The written contract shall be entered into within the period specified in the notification of award and before expiry of the tender validity period

#### **47 Performance Security**

47.1 Within twenty-one (21) days of the receipt of the Form of Acceptance from the Procuring Entity, the successful Tenderer, if required, shall furnish the Performance Security in accordance with the GCC 3.9, using for that purpose the Performance Security Form included in Section VIII, Contract Forms, or another Form acceptable to the Procuring Entity. If the Performance Security furnished by the successful Tenderer is in the form of a bond, it shall be issued by a bonding or insurance company that has been determined by the successful Tenderer to be acceptable to the Procuring Entity. A foreign institution providing a bond shall have a correspondent financial institution located in Kenya, unless the Procuring Entity has agreed in writing that a correspondent financial institution is not required.

47.2 Failure of the successful Tenderer to submit the above-mentioned Performance Security or sign the Contract shall constitute sufficient grounds for the annulment of the award and forfeiture of the Tender Security. In that event the Procuring Entity may award the Contract to the Tenderer offering the next Best Evaluated Tender.

#### **48 Publication of Procurement Contract**

48.1 Within fourteen days after signing the contract, the Procuring Entity shall publish the awarded contract at its notice boards and websites; and on the Website of the Authority. At the minimum, the notice shall contain the following information:

- a) Name and address of the Procuring Entity;
- b) Name and reference number of the contract being awarded, a summary of its scope and the selection method used;
- c) The name of the successful Tenderer, the final total contract price, the contract duration.

- d) Dates of signature, commencement and completion of contract;
- e) Names of all Tenderers that submitted Tenders, and their Tender prices as read out at Tender opening.

#### **49 Adjudicator**

49.1 The Procuring Entity proposes the person named **in the TDS** to be appointed as adjudicator or under the Contract, at an hourly fee specified in **the TDS**, plus reimbursable expenses. If the Tenderer disagrees with this Tender, the Tenderer should so state in the Tender. If, in the Form of Acceptance, the Procuring Entity has not agreed on the appointment of the Adjudicator, the Adjudicator shall be appointed by the Appointing Authority designated in the Special Conditions of Contract at the request of either party.

#### **50 Procurement Related Complaints and Administrative Review**

50.1 The procedures for making a Procurement-related Complaint are as specified in the **TDS**.

50.2 A request for administrative review shall be made in the form provided under contract forms.

## SECTION II - TENDER DATA SHEET (TDS)

The following specific data for the Non-Consulting Services to be procured shall complement, supplement, or amend the provisions in the Instructions to Tenderers (ITT). Whenever there is a conflict, the provisions here in shall prevail over those in ITT.

ITT Reference	PARTICULARS OF APPENDIX TO INSTRUCTIONS TO TENDERS
	<b>A. General</b>
ITT 1.1	The reference number of the Request for Tenders (ITT) is: <b>MAWASCO/OT/002/2024/2025/2026</b> The Procuring Entity is: <b>Mathira Water and Sanitation Company Limited</b> The name of the ITT is: <b>Supply and Delivery of Water Pipes</b>
ITT 2.1(a)	<b>Electronic –Procurement System</b> The Procuring Entity shall use the following electronic-procurement system to manage this Tendering process: <b>Not applicable</b> The electronic-procurement system shall be used to manage the following aspects of the Tendering process: <b>Not applicable</b>
ITT 2.2	The Intended Completion Date is <b>30<sup>TH</sup> June 2026</b>
ITT 3.3	Information that any unfair competitive advantage over competing firms is as follow: <b>Not applicable</b>
ITT 3.4	The firms that provided consulting services <b>Not applicable</b>
ITT 4.1	Maximum number of members in the Joint Venture (JV) shall be: <b>Not applicable</b>
	<b>B. Contents of Tendering Document</b>
ITT 8.1	(a) A pre-tender conference <b>will not</b> be held (b) A pre-arranged pretender visit of the site of the works visit <b>will not</b> be held
ITT 8.2	Any questions in writing, to reach the Procuring Entity not later than <b>4(four) days before close of tenders.</b>
ITT 8.4	Minutes of the pre-Tender meeting and the pre-arranged pretender visit of the site of the works shall be published on the website <b>Not applicable</b>
ITT 9.1	Tenderer will submit any request for clarifications in writing at the Address below; <b>ATTENTION: Managing Director</b> <b>Mathira Water and Sanitation Company,</b> <b>Off Gaikuyu-Gitunduti road,</b> <b>P.O Box 1981- 10101</b> <b>KARATINA</b>  to reach the Procuring Entity not later than the timelines given in ITT 8.2 above  The Procuring Entity shall publish its response at the website <b>www.mawasco.co.ke</b>



ITT Reference	PARTICULARS OF APPENDIX TO INSTRUCTIONS TO TENDERS
	<b>C. Preparation of Tenders</b>
ITT 13.1 (i)	The Tenderer shall submit the following additional documents in its Tender; NHIF compliance certificate NSSF compliance certificate Ministry of Labour compliance certificate with fair labour practices
ITT 15.1	Alternative Tenders <i>shall not be</i> considered.
ITT 15.2	Alternative times for completion <i>shall not be</i> permitted
ITT 15.3	Alternative technical solutions shall be permitted for the following parts of the Services: <i>Not applicable</i>
ITT 16.7	The prices quoted by the Tenderer <i>shall not</i> be subject to adjustment during the performance of the Contract.
ITT 20.1	The Tender validity period shall be <b>120 days</b> from the date of tender opening
ITT 21.1	A Tender Security <i>shall not be</i> required. A Tender-Securing Declaration <i>shall not be</i> required.
ITT 21.3 (a)	The Contract price shall be <i>Not</i> be adjusted
ITT 22.1	In addition to the original Tender, the number of copies is: <b>one copy</b>
ITT 22.3	The written confirmation of authorization to sign on behalf of the Tenderer shall consist of: <b>Duly executed power of attorney</b>
	<b>D. Submission and Opening of Tenders</b>
ITT 24.1	For <u>Tender submission purposes</u> only, <b>Managing Director, Mathira Water and Sanitation Company, Off Gaikuyu-Gitunduti road, P.O Box 1981- 10101, Karatina</b>
ITT 24.1	<b>The deadline for Tender submission is:</b> Date: <b>31st May ,2022</b> Time: <b>11.00 Am</b>  Tenderers <i>shall not</i> have the option of submitting their Tenders electronically.
ITT 27.1	The Tender opening shall take place at: <b>Location: Boardroom of Mathira Water and Sanitation Company, Date: 31st May ,2024 Time: 11.00 Am</b>

<b>ITT Reference</b>	<b>PARTICULARS OF APPENDIX TO INSTRUCTIONS TO TENDERS</b>
<b>ITT 27.1</b>	The electronic Tender opening procedures shall be: <i>Not applicable</i>
<b>ITT 27.6</b>	The Form of Tender and priced Activity Schedule shall be initialed by All members of the tender opening committee
<b>E. Evaluation and Comparison of Tenders</b>	
<b>ITT 31.7</b>	The tender price (rates) shall be fixed.
<b>ITT 33.1</b>	The currency that shall be used for Tender evaluation and comparison purposes is: <b>Kenya shillings</b> Bids submitted in any other currency will be treated as unresponsive
<b>ITT 34.1</b>	Margin of preference <b>shall not</b> be applied
<b>ITT 34.2</b>	The invitation to tender is extended to the following group that qualify for Reservations: <i>Not applicable</i>
<b>ITT 35.2 (d)</b>	Additional evaluation factors shall be <i>as indicated in the evaluation criteria</i>
<b>ITT 35.4</b>	Tenderers <i>shall not be allowed</i> to quote separate prices for different lots (contracts) and the methodology to determine the lowest tenderer is specified in Section III, Evaluation and Qualification Criteria.
<b>F. Award of Contract</b>	
<b>ITT 49.1</b>	The Adjudicator proposed by the Procuring Entity is <b>Nairobi Centre for Arbitration</b> The hourly fee for this proposed Adjudicator shall be Kenya Shillings Ten Thousand or as prescribed by the adjudicator
<b>ITT 50.1</b>	<p>The procedures for making a Procurement-related Complaint are available from the PPRa Website <a href="http://www.ppra.go.ke">www.ppra.go.ke</a> or email <a href="mailto:complaints@ppra.go.ke">complaints@ppra.go.ke</a>.</p> <p>If a Tenderer wishes to make a Procurement-related Complaint, the Tenderer should submit their complaint following these procedures, in writing, by the quickest means available, by hand delivery or email to:</p> <p style="text-align: center;"><b>The Managing Director, Mathira Water and Sanitation Company, Off Gaikuyu-Gitunduti road, P.O Box 1981- 1981, Karatina</b></p> <p>In summary, a Procurement-related Complaint may challenge any of the following:</p> <p>(i) the terms of the Tender Documents; and (ii) the Procuring Entity’s decision to award the contract.</p>

## SECTION III – EVALUATION AND QUALIFICATION CRITERIA

### 1. General Provision

1.1 Wherever a Tenderer is required to state a monetary amount, Tenderers should indicate the Kenya Shilling equivalent using the rate of exchange determined as follows:

- a) For construction turnover or financial data required for each year-Exchange rate prevailing on the last day of the respective calendar year (in which the amounts for that year are to be converted) was originally established.
- b) Value of single contract-Exchange rate prevailing on the date of the contract signature.
- c) Exchange rates shall be taken from the publicly available source identified in the ITT. Any error in determining the exchange rates in the Tender may be corrected by the Procuring Entity.

1.2 This section contains the criteria that the Employer shall use to evaluate tender and qualify tenderers. No other factors, methods or criteria shall be used other than specified in this tender document. The Tenderer shall provide all the information requested in the forms included in Section IV, Tendering Forms.

### 1.3 Evaluation and contract award Criteria

The Procuring Entity shall use the criteria and methodologies listed in this Section to evaluate tenders and arrive at the Lowest Evaluated Tender. The tender that (i) meets the qualification criteria, (ii) has been determined to be substantially responsive to the Tender Documents, and (iii) is determined to have the Lowest Evaluated Tender price shall be selected for award of contract.

### 1.4 Preliminary examination for Determination of Responsiveness

The Procuring Entity will start by examining all tenders to ensure they meet in all respects the eligibility criteria and other mandatory requirements in the ITT, and that the tender is complete in all aspects in meeting the requirements provided for in the preliminary evaluation criteria outlined below. Tenders that do not pass the Preliminary Examination will be considered non-responsive and will not be evaluated further.

#### **1.4.1 MANDATORY /PRELIMINARY REQUIREMENTS**

Bidders should submit copies of documents as indicated below

SN	MANDATORY /PRELIMINARY REQUIREMENTS	RESPONSIVENESS (YES/NO/NA)
1.	Certificate of Incorporation/Business Registration (Attach copy)	
2.	Personal Identification Number (PIN) certificate (Attach copy)	
3.	Valid Tax Compliance Certificate (Attach copy)	
4.	Proven physical location of the firm /company (attach copy of Valid and relevant Business Permit/License)	
5.	Chronologically Serialized Bid document in the format of 1,2,3,4.....(All Pages)	
6.	Duly filled, signed & stamped business questionnaire in the format provided	
7.	Duly filled, signed & stamped Tenderer information Form of tender in the format provided	
8.	Duly filled, signed & stamped certificate of independent tender determination in the format provided	
9.	Duly filled, signed & stamped self-declaration form that the person/tenderer is not debarred in the matter of Public Procurement and Asset Disposal Act 2015	
10.	Duly filled, signed & stamped self-declaration form that the person/tenderer will not engage in corruption or fraudulent practice in the format provided	
11.	Duly filled, signed & stamped declaration and commitment to the code of ethics in the format provided	
12.	Duly filled, signed & stamped price schedule in the format provided	
13.	Manufacturer's authorization	
14.	Audited Accounts for the years 2021, 2022 & 2023	
15.	The Water Pipes must have been approved under the latest ISO and Kenyan standards (attach Certificate of inspection from KEBS)	

***NB: All Bidders must meet all the above mandatory requirements to qualify. Bidders who fail to meet any of the above shall be disqualified from the next stage of evaluation.***

### 1.4.2 TECHNICAL EVALUATION

SN	Evaluation Criteria	Evaluator Attributes	Weight Score	Maximum Score
1.	<b>Number of years</b>	Number of years in supply of Water Pipes	5years and above <b>10 marks</b> others prorated at Number of years x 10 /5	<b>10 Marks</b>
2.	<b>Experience in Supply of Water Pipes</b>	Number of businesses done in supply of Water Pipes in the years 2021, 2022 &2023 attach proof of: LPO's, Letters of Award, Completion Certificates or Contracts. (Evidence of at least 3 fulfilled Orders in the last three years)	<b>6 LPOs, Letters of Award, Completion Certificates or Contracts and above 30 Marks.</b> others prorated at number of LPO's x 30/6	<b>30 Marks</b>
3.	<b>Magnitude</b>	Magnitude of business done in supply of Water Pipes in the Years 2021,2022&2023	5 million and above 25marks others prorated at Value x 25/5million	<b>25 Marks</b>
4.	<b>Financial Capacity</b>	Cash flow Attach Bank Statements for the last 12 months	Evidence of regular cash flows from the bank statements	<b>15 Marks</b>
5.	<b>Financial Stability</b>	Line of credit letter from a financial institution recognized by CBK	5 million and above 10 marks others prorated at value of credit x10 marks/5 million	<b>15 marks</b>
6	<b>Litigation History</b>	Declaration of any Litigation history related to supply of goods	Signed declaration  (a history of litigation outcomes against the bidder will lead to disqualification)	<b>5 Marks</b>
			<b>Total Marks</b>	<b>100 Marks</b>

***NB: The pass mark to proceed to the financial stage shall be 70% and above. Bidders who shall score less than 70% shall be disqualified at this stage and from the next stage in the evaluation processes.***

### 1.4.3 FINANCIAL EVALUATION

The Evaluation committee shall conduct financial evaluation by comparing the quoted prices amongst the bidders. The prevailing market prices will be put to consideration during this stage

The bidder with the lowest evaluated price that is within the market rates will be recommended for award under framework agreement for a period of 2 years subject to satisfactory performance.

Bidders who shall have qualified at the financial stage will be ranked and awards shall be done based on the non-performance of the lowest evaluated bidder.

### **1.5 Evaluation of Technical aspects of the Tender**

The Procuring Entity shall evaluate the technical aspects of the Tender to determine compliance with the Procuring Entity's requirements under Section V 'Schedule of Requirements and whether the Tenders are substantially responsive to the Technical Specifications and other Requirements.

### **1.6 Evaluation of Commercial Terms and Conditions of the Tender (ITT 33.1(a)):**

The Procuring Entity shall determine whether the Tenders are substantially responsive to the Commercial and Contractual Terms and Conditions (e.g. Performance securities, Payment and delivery schedules)

### **1.7 Evaluation Criteria (Other Factors) (ITT 33.6)**

The Procuring Entity's evaluation of a Tender may take into account, in addition to the Tender Price quoted in accordance with ITT 13.8, one or more of the following factors as specified in ITT 33.2(d) and in TDS ITT 33.6, using the following criteria and methodologies.

#### **a) Delivery schedule.**

The Goods specified in the List of Goods are required to be delivered within the acceptable time range (after the earliest and before the final date, both dates inclusive) specified in Section V, Schedule of Requirements. No credit will be given to deliveries before the earliest date, and Tenderers offering delivery after the final date shall be treated as non-responsive.

#### **b) Deviation in payment schedule.**

- i. tenderers shall state their Tender price for the payment schedule outlined in the SCC. Tenders shall be evaluated on the basis of this base price. Tenderers are, however, permitted to state an alternative payment schedule and indicate the reduction in Tender price they wish to offer for such alternative payment schedule. The Procuring Entity may consider the alternative payment schedule and the reduced Tender price offered by the tenderer selected on the basis of the base price for the payment schedule outlined in the SCC.

#### **c) Cost of major replacement components, mandatory spare parts, and service.**

The list of items and quantities of major assemblies, components, and selected spare parts, likely to be required during the period of operation specified in the TDS 15.4, is in the List of Goods/schedule of requirements.

#### **d) Availability in Kenya of spare parts and after sales services for equipment offered in the Tender.**

An adjustment equal to the cost to the Procuring Entity of establishing the minimum service facilities and parts inventories if quoted separately, shall be added to the Tender price, for evaluation purposes only.

#### **e) Life Cycle Costs: [N/A]**

If specified in TDS 33.6, an adjustment to consider the additional life cycle costs for the period specified below, such as the operating and maintenance costs of the Goods, will be added to the Tender price, for evaluation purposes only. The

adjustment will be evaluated in accordance with the methodology specified below and the following information:

*[Note to Procuring Entity: Life cycle costing should be used when the costs of operation and/or maintenance over the specified life of the goods are estimated to be considerable in comparison with the initial cost and may vary among different Tenders. Life cycle costs shall be evaluated on a net present value basis. If life cycle costs apply, then specify the factors required to determine them for evaluation purposes.*

*[Either amend the following text as required, or delete if life cycle cost is not applicable]*

- i) number of years for life cycle cost determination *[insert the number of years of economic life of Goods];*
- ii) the discount rate to be applied to determine the net present value of the life-cycle-cost is *[insert the discount rate];*
- iii) the annual operating and maintenance costs (recurrent costs) shall be determined on the basis of the following methodology: *[insert methodology E.G. This should include factors that will be used for determination of life-cycle- cost such as costs of operation and maintenance, residual value at the end of economic life of Goods, major elements that will be used for determination of cost of operation and maintenance such as fuel, power, labor, spare parts, etc. unit prices of elements such as fuel, power, etc., quantity of annual usage such as Kms or Hours of operation of Goods, Formula for calculation of LCC, etc];*
- iv) and the following information is required from tenderers *[insert any information required from tenderers, including prices e.g. Guaranteed fuel and/or power consumption, cost of labour, spare parts, etc].*

**f) Performance and productivity of the equipment: [N/A]**

- i) Performance and productivity of the equipment. An adjustment representing the capitalized cost of additional operating costs over the life of the goods will be added to the Tender price, for evaluation purposes if specified in the TDS 33.6. The adjustment will be evaluated based on the drop in the guaranteed performance or efficiency offered in the Tender below the norm of 100, using the methodology specified below.

*[Insert the methodology and criteria if applicable e.g. The Following aspects could be considered in the formulation of this methodology and criteria: (i) Tender price for the equipment; ii) Price of spare parts required for AAA years of operations, iii) Adjustments to tender price for omissions, deviations and exceptions to technical and commercial conditions in the tender documents; iv) Capitalized cost savings due to the equipment efficiency at the rate of **XXX** (specify currency and amount) for each **YYY** % (percent) above the **minimum ZZZ** % (percent) efficiency; v) Capitalized cost for the auxiliary power consumption at **PPP** (specify currency and amount) per KW for AAA years; and vi) Applicable discount rate of **BBB**%. ]*

**or**

- ii) An adjustment to consider the productivity of the goods offered in the Tender will be added to the Tender price, for evaluation purposes only, if specified in ITT 33.6. The adjustment will be evaluated based on the cost per unit of the actual productivity of goods offered in the Tender with respect to minimum required values, using the methodology specified below.

*[Insert the methodology and criteria if applicable E.G. The evaluation and comparison of responsive tenders shall be based on the total life cycle cost for XXX years, per unit of output. The life cycle cost shall be the sum of the initial purchase price of the equipment and the cost of operation*

*in electric energy for XXX years of operation at unit cost of AAA (specify currency and amount) per kwh, discounted to net present value at YYY percent.]*

**g) Specific additional criteria**

[Other specific additional criteria to be considered in the evaluation, and the evaluation method shall be detailed in TDS 34.6][If specific **sustainable procurement technical requirements** have been specified in Section VII-Specification, **either** state that (i) those requirements will be evaluated on a pass/fail (compliance basis) **or** otherwise (ii) in addition to evaluating those requirements on a pass/fail (compliance basis), if applicable, specify the monetary adjustments to be applied to Tender Prices for comparison purposes on account of Tenders that exceed the specified minimum sustainable procurement technical requirements.]

**1.8 Multiple Contracts (ITT 33.4)**

Tenders are invited for individual line items, the contract will be awarded to the tenderer offering a substantially responsive Tender(s) and the lowest evaluated cost for individual line items, subject to the selected tenderer(s) meeting the required qualification criteria (this Section III, Sub-Section ITT 36 Qualification Requirements) for each line items. In determining tenderer that offer the lowest evaluated cost to the Procuring Entity for each line items lot, the Procuring Entity shall apply the following steps in sequence:

- (a) Evaluate individual lots to determine the substantially responsive Tenders and corresponding evaluated costs;
- (b) For each item, rank the substantially responsive Tenders starting from the lowest evaluated cost for the item;
- (c) apply to the evaluated costs listed in (b) above, any applicable discounts/price reductions offered by a tenderer (s) for the award of each line item based on the discounts and the methodology for their application offered by the respective Tenderer; and
- (d) Determine contract award based on the line items that offer the tender offers each of which has the lowest evaluated cost to the Procuring Entity.

**1.9 Alternative Tenders [N/A]**

*(ITT 13.1) An alternative if permitted under*

*ITT13.1, will be evaluated as follows:*

“A Tenderer may submit an alternative Tender only with a Tender for the base case. The Procuring Entity shall only consider the alternative Tenders offered by the Tenderer whose Tender for the base case was determined to be the Lowest Evaluated Tender.”

**or**

“A Tenderer may submit an alternative Tender with or without a Tender for the base case. The Procuring Entity shall consider Tenders offered for alternatives as specified in the Technical Specifications of Section V, Schedule of Requirements. All Tenders received, for the base case, as well as alternative Tenders meeting the specified requirements, shall be evaluated on their own merits in accordance with the same procedures, as specified in the ITT 33.”

**2.0 Margin of Preference [N/A]**

- 2.1 If the TDS so specifies, the Procuring Entity will grant a margin of preference of 15% (fifteen percent) to Tenderers offering goods manufactured, mined, extracted, grown, assembled



or semi-processed in Kenya. Goods assembled or semi-processed in Kenya shall have local content of not less than 40%.

- 2.2 The margin of preference will be applied in accordance with, and subject to, the following provisions:
- 2.2.1 Tenderers applying for such preference on goods offered shall provide, as part of the data for qualification, such information, including details of the goods produced in Kenya, so as to determine whether, according to the classification established by the Procuring Entity, a particular category of goods or group of goods qualifies for a margin of preference.
- 2.2.2 After Tenders have been received and reviewed by the Procuring Entity, goods offered in the responsive Tenders shall be assessed to ascertain they are manufactured, mined, extracted grown, assembled or semi- processed in Kenya. Responsive tender shall be classified into the following groups:
- 2.2.2.1 **Group A:** Tenders offering goods manufactured in Kenya, for which (a) labour, raw materials, and components from within Kenya account for more than forty (40) percent of the Ex-Works price; and (b) the production facility in which they will be manufactured or assembled has been engaged in manufacturing or assembling such goods at least since the date of Tender Submission date;
- 2.2.2.2 **Group B:** All other Tenders offering Goods manufactured in Kenya;
- 2.2.2.3 **Group C:** Tenders offering Goods manufactured outside Kenya that have been already imported or that will be imported.
- 2.2.3 To facilitate this classification by the Procuring Entity, the Tenderer shall complete whichever version of the Price Schedule furnished in the Tender Documents is appropriate. Incorrect classification may render the Tender non-responsive as no reclassification will be permitted after Tender opening. Tenderers shall provide correct information especially with respect to duties, taxes etc. paid on previously imported Goods and percentage of local labour, materials and components for Goods manufactured in Kenya as any false information which cannot be supported by documentation may render the Tender non-responsive besides other sanctions for providing falsified information.
- 2.2.4 The Procuring Entity will first review the Tenders to confirm the appropriateness of the Tender group classification to which Tenderers assigned their Tenders in preparing their Tender Forms and Price Schedules.
- 2.2.5 All evaluated Tenders in each group will then be compared to determine the lowest evaluated Tender of each group. Such lowest evaluated Tenders shall be compared with each other and if as a result of this comparison a Tender from Group A or Group B is the lowest, it shall be selected for the award.
- 2.2.6 If as a result of the preceding comparison, the lowest evaluated Tender is a Tender from Group C, all Tenders from Group C shall be further compared with the lowest evaluated Tender from Group A after adding to the evaluated price of goods offered in each Tender from Group C, for the purpose of this further comparison only, an amount equal to 15% (fifteen percent) of the respective CIP Tender price for goods to be imported and already imported goods. Both prices shall include unconditional discounts and be corrected for arithmetical errors. If the Tender from Group A is the lowest, it shall be selected for award. If not, the lowest evaluated Tender from Group C shall be selected as per paragraph (e) above.”

### 3.0 Post-Qualification Criteria (ITT 37.1)

In case the tender was not subject to pre-qualification, the tender that has been determined to be the lowest evaluated tenderer shall be considered for contract award, subject to meeting each of the following conditions (post qualification Criteria applied on a GO/NO GO basis). The Procuring Entity shall carry out the post-qualification of the Tenderer in

accordance with ITT 37, using only the requirements specified herein. Requirements not included in the text below shall not be used in the evaluation of the Tenderer's qualifications. The minimum qualification requirements for multiple contracts will be the sum of the minimum requirements for respective individual contracts, unless otherwise specified.

*The Technical Evaluation Team will verify the information submitted by applicants and may visit the physical premises of the applicants. This will form part of the evaluation process in determining satisfaction as to the information submitted by the bidder/s who has been recommended for the tender award, with regards to the physical items availability at the facility of the tenderer/s.*

### **3.1 If the Tenderer is a manufacturer**

#### **3.1.1 Financial Capability**

- i) The Tenderer shall demonstrate that it has access to, or has available, liquid assets, unencumbered real assets, lines of credit, and other financial means (independent of any contractual advance payment) sufficient to meet the supply cash flow of Kenya Shillings Kenya shillings Seven million or equivalent
- ii) Minimum average annual supply turnover of *Kenya shillings Three million or equivalent* calculated as total certified payments received for contracts of goods manufactured and supplied within the last *three years*. In case of multiple contracts, limitation will be placed on the number of item(s) that will be awarded to the Tenderer.

#### **3.1.2 Experience and Technical Capacity**

The Tenderer shall furnish documentary evidence to demonstrate that it meets the following experience requirement(s) using the form provided in Section IV. In case the Tenderer is a JV, experience and demonstrated technical capacity of only the JV shall be taken into account and not of individual members nor their individual experience/capacity will be aggregated unless all members of the JV have been manufacturing and supplying Goods offered in the Tender to the same technology, processing, design, materials, specifications, model number, etc. in all respects such that Goods manufactured have the same functional characteristics, performance parameters, outputs and other guarantees and fully interchangeable which shall be documented along with other required documents demonstrating capacity to the satisfaction of the Procuring Entity in case individual members claim experience. Otherwise, documents evidencing experience and technical capacity shall be in the name of the JV that submitted the Tender. Wherever the Words "Similar Goods" have been used it includes upgrades, latest and improved versions or models of similar specifications and technology. Refer to Form Exp-1 to provide the required information.

- i) The Tenderer shall be manufacturing similar Goods for the last *3 years*
- ii) The Tenderer shall furnish documentary evidence to demonstrate successful completion of at least *6 number* of contracts of similar Goods in the last 3 years each contract costing at least Kenya shillings one million Kenyan shillings or equivalent and involving a supply of at least *80 percent* of required quantity .
- iii) **(Optional)** The installed capacity to manufacture \_\_\_\_\_ number of items (*specify the relevant item number*) shall not be less than \_\_\_\_\_ units per \_\_\_\_\_ *(specify week or month)*.

#### **3.1.3 (Optional) Documentary Evidence of Usage of Goods (When appropriate)**

The Tenderer shall furnish documentary evidence satisfactory to the Procuring Entity to demonstrate that similar goods as offered in the Tender have been in successful use or operation for the last \_\_\_\_\_ years. If the Tenderer is a JV, the evidence of

demonstrated usage of Goods supplied in the past shall be in the name of the JV.

### **3.2 If Tenderer is a Supplier:**

If a Tenderer is a Supplier offering the Goods on behalf of or from a Manufacturer under Manufacturer's Authorization Form (Section IV, Tendering Forms), the Manufacturer shall demonstrate the above qualifications 4.2 (b) (i), (ii), and (iii) and the Tenderer shall demonstrate it meets the following criteria.

- i) The Tenderer shall demonstrate that it has access to, or has available, liquid assets, unencumbered real assets, lines of credit, and other financial means (independent of any contractual advance payment) sufficient to meet the supply cash flow of Kenya \_\_\_shillings \_\_\_five million \_\_\_\_\_
- ii) Minimum average annual supply turnover of Kenya Shillings three million or equivalent calculated as total certified payments received for contracts in progress and/or completed within the last 3 years, divided by 3 years.
- iii) Has satisfactorily and substantially completed at least 3 contract(s) of a similar nature either within Kenya, the East African Community or abroad, as a prime supplier or a joint venture member, each of a minimum value in Kenya shillings one million or equivalent.

### **3.3 History of non-performing contracts:**

Tenderer (Supplier or/and manufacturer, and each member of JV in case the Tenderer is a JV, shall demonstrate that Non-performance of a contract did not occur as a result of the default of the Tenderer, manufacturer or the member of JV as the case may be, in the last one year. The required information shall be furnished as per form CON-2].

### **3.4 Pending Litigation**

Financial position and prospective long-term profitability of the Single Tenderer, and in the case the Tenderer is a JV, of each member of the JV, shall remain sound according to criteria established with respect to Financial Capability under paragraph I (i) above assuming that all pending litigation will be resolved against the Tenderer. Tenderer shall provide information on pending litigations as per Form CON-2.

### **3.5 Litigation History**

There shall be no consistent history of court/arbitral award decisions against the Tenderer, in the last two years. All parties to the contract shall furnish the information on the related Form (CON-2) about any litigation or arbitration resulting from contracts completed or ongoing under its execution over the years specified. A consistent history of awards against the Tenderer or any member of a JV may result in rejection of the tender.

## SECTION IV - TENDERING FORMS

- i. Form of Tender
- ii. Tenderer Information Form
- iii. Tenderer JV Members Information Form
- iv. Price Schedule: Goods Manufactured Outside Kenya, to be Imported
- v. Price Schedule: Goods Manufactured Outside Kenya, already imported
- vi. Price Schedule: Goods Manufactured in Kenya
- vii. Price and Completion Schedule – Related Services
- viii. Form of Tender Security – Demand Guarantee
- ix. Form of Tender Security (Bid Bond)
- x. Form of Tender-Securing Declaration
- xi. Manufacturer’s Authorization Form

## FORM OF TENDER

### INSTRUCTIONS TO TENDERERS

- i) *The Tenderer must prepare this Form of Tender on stationery with its letterhead clearly showing the Tenderer's complete name and business address.*
- ii) *All italicized text is to help Tenderer in preparing this form.*
- iii) *Tenderer must complete and sign CERTIFICATE OF INDEPENDENT TENDER DETERMINATION and the SELF DECLARATION OF THE TENDERER attached to this Form of Tender.*

**Date of this Tender submission:** .....[insert date (as day, month and year) of Tender submission]

**Tender Name and Identification:** .....

**Alternative No.:** .....[insert identification No. if this is a Tender for an alternative]

To: ..... [Insert complete name of Procuring Entity]

- a) **No reservations:** We have examined and have no reservations to the Tendering document, including Addenda issued in accordance with Instructions to tenderers (ITT 7);
- b) **Eligibility:** We meet the eligibility requirements and have no conflict of interest in accordance with ITT 3;
- c) **Tender/Proposal-Securing Declaration:** We have not been suspended nor declared ineligible by the Procuring Entity based on execution of a Tender-Securing Declaration. Or Proposal-Securing Declaration in Kenya in accordance with ITT 3.6;
- d) **Conformity:** We offer to supply in conformity with the Tendering document and in accordance with the Delivery Schedules specified in the Schedule of Requirements the following Goods: [insert a brief description of the Goods and Related Services];
- e) **Tender Price:** The total price of our Tender, excluding any discounts offered in item (f) below is:

Option 1, in case of one lot: Total price is: [insert the total price of the Tender in words and figures, indicating the various amounts and the respective currencies];

or

Option 2, in case of multiple lots: (a) Total price of each lot [insert the total price of each lot in words and figures, indicating the various amounts and the respective currencies]; and (b) Total price of all lots (sum of all lots) [insert the total price of all lots in words and figures, indicating the various amounts and the respective currencies];

- f) **Discounts:** The discounts offered and the methodology for their application are:
  - i) The discounts offered are: [Specify in detail each discount offered.]

- ii) The exact method of calculations to determine the net price after application of discounts are show below: *[Specify in detail the method that shall be used to apply the discounts]*;
- g) **Tender Validity Period:** Our Tender shall be valid for the period specified in TDS 17.1 ( or as amended, if applicable) from the date fixed for the Tender submission deadline specified in TDS 21.1 ( or as amended, if applicable), and it shall remain binding upon us and may be accepted at any time before the expiration of that period;
- (h) **Performance Security:** If our Tender is accepted, we commit to obtain a performance security in accordance with the Tendering document;
- i) **One Tender per tenderer:** We are not submitting any other Tender(s) as an individual tenderer, and we are not participating in any other Tender(s) as a Joint Venture member, or as a subcontractor, and meet the requirements of ITT 3.9, other than alternative Tenders submitted in accordance with ITT 12;
- j) **Suspension and Debarment:** We, along with any of our subcontractors, suppliers, consultants, manufacturers, or service providers for any part of the contract, are not subject to, and not controlled by any entity or individual that is subject to, a temporary suspension or a debarment imposed by the Procuring Entity. Further, we are not ineligible under the Kenya laws or official regulations or pursuant to a decision of the United Nations Security Council;
- k) **State-owned enterprise or institution:** *[select the appropriate option and delete the other] [We are not a state- owned enterprise or institution] / [We are a state-owned enterprise or institution but meet the requirements of ITT 3.7];*
- l) **Commissions, gratuities, fees:** We have paid, or will pay the following commissions, gratuities, or fees with respect to the Tendering process or execution of the Contract: *[insert complete name of each Recipient, its full address, the reason for which each commission or gratuity was paid and the amount and currency of each such commission or gratuity]*

Name of Recipient	Address	Reason	Amount

(If none has been paid or is to be paid, indicate “none.”)

- m) **Binding Contract:** We understand that this Tender, together with your written acceptance thereof included in your Letter of Acceptance, shall constitute a binding contract between us, until a formal contract is prepared and executed;
- n) **Procuring Entity Not Bound to Accept:** We understand that you are not bound to accept the lowest evaluated cost Tender, the Best Evaluated Tender or any other Tender that you may receive; and
- o) **Fraud and Corruption:** We hereby certify that we have taken steps to ensure that no person acting for us or on our behalf engages in any type of Fraud and Corruption.
- (p) **Code of Ethical Conduct:** We undertake to adhere by the Code of Ethics for Persons Participating in Public Procurement and Asset Disposal, during the procurement process and the execution of any resulting contract.
- (q) **Collusive practices:** We hereby certify and confirm that the tender is genuine, non-collusive

and made with the intention of accepting the contract if awarded. To this effect we have signed the “Certificate of Independent tender Determination” attached below.

- (f) We, the Tenderer, have completed fully and signed the following Forms as part of our Tender:
- a) Tenderer’s Eligibility; Confidential Business Questionnaire – to establish we are not in any conflict to interest.
  - b) Certificate of Independent Tender Determination – to declare that we completed the tender without colluding with other tenderers.
  - c) Self-Declaration of the Tenderer – to declare that we will, if awarded a contract, not engage in any form of fraud and corruption.
  - d) Declaration and commitment to the Code of Ethics for Persons Participating in Public Procurement and Asset Disposal.

Further, we confirm that we have read and understood the full content and scope of fraud and corruption as informed in “**Appendix 1- Fraud and Corruption**” attached to the Form of Tender.

**Name of the tenderer:** \*[insert complete name of the tenderer]

**Name of the person duly authorized to sign the Tender on behalf of the tenderer:** \*\*[insert complete name of person duly authorized to sign the Tender]

**Title of the person signing the Tender:** [insert complete title of the person signing the Tender]

**Signature of the person named above:** [insert signature of person whose name and capacity are shown above] **Date signed** [insert date of signing] **day of** [insert month], [insert year]

\*: In the case of the Tender submitted by a Joint Venture specify the name of the Joint Venture as tenderer.

\*\* : Person signing the Tender shall have the power of attorney given by the tenderer. The power of attorney shall be attached with the Tender Schedules.

## CERTIFICATE OF INDEPENDENT TENDER DETERMINATION

I, the undersigned, in submitting the accompanying Letter of Tender to the \_\_\_\_\_  
\_\_\_\_\_ [Name of  
Procuring Entity] for: \_\_\_\_\_ [Name and  
number of tender] in response to the request for tenders made by: \_\_\_\_\_ [Name of  
Tenderer] do hereby make the following statements that I certify to be true and complete in every  
respect:

I certify, on behalf of \_\_\_\_\_ [Name  
of Tenderer] that:

1. I have read and I understand the contents of this Certificate;
2. I understand that the Tender will be disqualified if this Certificate is found not to be true and complete in every respect;
3. I am the authorized representative of the Tenderer with authority to sign this Certificate, and to submit the Tender on behalf of the Tenderer;
4. For the purposes of the Certificate and the Tender, I understand that the word “competitor” shall include any individual or organization, other than the Tenderer, whether or not affiliated with the Tenderer, who:
  - a) has been requested to submit a Tender in response to this request for tenders;
  - b) could potentially submit a tender in response to this request for tenders, based on their qualifications, abilities or experience;
5. The Tenderer discloses that [check one of the following, as applicable]:
  - a) The Tenderer has arrived at the Tender independently from, and without consultation, communication, agreement or arrangement with, any competitor;
  - b) the Tenderer has entered into consultations, communications, agreements or arrangements with one or more competitors regarding this request for tenders, and the Tenderer discloses, in the attached document(s), complete details thereof, including the names of the competitors and the nature of, and reasons for, such consultations, communications, agreements or arrangements;
6. In particular, without limiting the generality of paragraphs (5)(a) or (5)(b) above, there has been no consultation, communication, agreement or arrangement with any competitor regarding:
  - a) prices;
  - b) methods, factors or formulas used to calculate prices;
  - c) the intention or decision to submit, or not to submit, a tender; or
  - d) the submission of a tender which does not meet the specifications of the request for Tenders; except as specifically disclosed pursuant to paragraph (5)(b) above;
7. In addition, there has been no consultation, communication, agreement or arrangement with any competitor regarding the quality, quantity, specifications or delivery particulars of the works or services to which this request for tenders relates, except as specifically authorized by the procuring authority or as specifically disclosed pursuant to paragraph (5)(b) above;
8. The terms of the Tender have not been, and will not be, knowingly disclosed by the Tenderer, directly or indirectly, to any competitor, prior to the date and time of the official tender opening, or of the awarding of the Contract, whichever comes first, unless otherwise required by law or as specifically disclosed pursuant to paragraph (5)(b) above.



Name

---

Title

---

Date

---

*[Name, title and signature of authorized agent of Tenderer and Date]*

**SELF-DECLARATION FORMS**

**FORM SD1**

**SELF DECLARATION THAT THE PERSON/TENDERER IS NOT DEBARRED IN THE MATTER OF THE PUBLIC PROCUREMENT AND ASSET DISPOSAL ACT 2015.**

I ..... of Post Office Box.....being a resident of ..... in the Republic of.....do hereby make a statement as follows: -

1. THAT I am the Company Secretary/ Chief Executive/Managing Director/Principal Officer/Director of ..... (*insert name of the Company*) who is a Bidder in respect of **Tender No.** ..... for..... (*insert tender title/description*) for.....(*insert name of the Procuring entity*) and duly authorized and competent to make this statement.
2. THAT the aforesaid Bidder, its Directors and subcontractors have not been debarred from participating in procurement proceeding under Part IV of the Act.
3. THAT what is deponed to herein above is true to the best of my knowledge, information and belief.

.....  
(Title)

.....  
(Signature)

.....  
(Date)

Bidder Official Stamp

**FORM SD2**

**SELF DECLARATION THAT THE PERSON/TENDERER WILL NOT ENGAGE IN ANY CORRUPT OR FRAUDULENT PRACTICE**

I, ..... of P.O. Box.....being a resident of..... in the Republic of ..... do hereby make a statement as follows: -

1. THAT I am the Chief Executive/Managing Director/Principal Officer/Director of..... (*insert name of the Company*) who is a Bidder in respect of **Tender No.** ..... for..... (*Insert tender title/description*) for..... (*insert name of the Procuring entity*) and duly authorized and competent to make this statement.
2. THAT the aforesaid Bidder, its servants and/or agents /subcontractors will not engage in any corrupt or fraudulent practice and has not been requested to pay any inducement to any member of the Board, Management, Staff and/or employees and/or agents of .....(*insert name of the Procuring entity*) which is the procuring entity.
3. THAT the aforesaid Bidder, its servants and/or agents /subcontractors have not offered any inducement to any member of the Board, Management, Staff and/or employees and/or agents of .....(*name of the procuring entity*).
4. THAT the aforesaid Bidder will not engage/has not engaged in any corrosive practice with other bidders participating in the subject tender.
5. THAT what is deponed to herein above is true to the best of my knowledge information and belief.

.....  
(Title)

.....  
(Signature)

.....  
(Date)

Bidder's Official Stamp

**DECLARATION AND COMMITMENT TO THE CODE OF ETHICS**

I..... (Person) on behalf of (*Name of the Business/ Company/Firm*) .....declare that I have read and fully understood the contents of the Public Procurement & Asset Disposal Act, 2015, Regulations and the Code of Ethics for persons participating in Public Procurement and Asset Disposal an my responsibilities under the Code

I do hereby commit to abide by the provisions of the Code of Ethics for persons participating in Public Procurement and Asset Disposal.

Name of Authorized signatory.....

Sign.....

Position.....

Office address..... Telephone.....

E-mail.....

Name of the Firm/Company.....

Date.....

**(Company Seal/ Rubber Stamp where applicable)**

Witness

Name .....

Sign.....

Date.....

## APPENDIX 1- FRAUD AND CORRUPTION

*(Appendix 1 shall not be modified)*

### 1. Purpose

- 1.1 The Government of Kenya's Anti-Corruption and Economic Crime laws and their sanction's policies and procedures, Public Procurement and Asset Disposal Act (*no. 33 of 2015*) and its Regulation, and any other Kenya's Acts or Regulations related to Fraud and Corruption, and similar offences, shall apply with respect to Public Procurement Processes and Contracts that are governed by the laws of Kenya.

### 2. Requirements

- 2.1 The Government of Kenya requires that all parties including Procuring Entities, Tenderers, (applicants/proposers), Consultants, Contractors and Suppliers; any Sub-contractors, Sub-consultants, Service providers or Suppliers; any Agents (whether declared or not); and any of their Personnel, involved and engaged in procurement under Kenya's Laws and Regulation, observe the highest standard of ethics during the procurement process, selection and contract execution of all contracts, and refrain from Fraud and Corruption and fully comply with Kenya's laws and Regulations as per paragraphs 1.1 above.
- 2.2 Kenya's public procurement and asset disposal act (*no. 33 of 2015*) under Section 66 describes rules to be followed and actions to be taken in dealing with Corrupt, Coercive, Obstructive, Collusive or Fraudulent practices, and Conflicts of Interest in procurement including consequences for offences committed. A few of the provisions noted below highlight Kenya's policy of no tolerance for such practices and behavior:
  - 1) a person to whom this Act applies shall not be involved in any corrupt, coercive, obstructive, collusive or fraudulent practice; or conflicts of interest in any procurement or asset disposal proceeding;
  - 2) A person referred to under subsection (1) who contravenes the provisions of that subsection commit an offence;
  - 3) Without limiting the generality of the subsection (1) and (2), the person shall be—
    - a) disqualified from entering into a contract for a procurement or asset disposal proceeding;
    - or
    - b) if a contract has already been entered into with the person, the contract shall be voidable;
  - 4) The voiding of a contract by the procuring entity under subsection (7) does
  - 5) not limit any legal remedy the procuring entity may have;
  - 6) An employee or agent of the procuring entity or a member of the Board or committee of the procuring entity who has a conflict of interest with respect to a procurement:-
    - a) shall not take part in the procurement proceedings;
    - b) shall not, after a procurement contract has been entered into, take part in any decision relating to the procurement or contract; and
    - c) shall not be a subcontractor for the bidder to whom was awarded contract, or a member of the group of bidders to whom the contract was awarded, but the subcontractor appointed shall meet all the requirements of this Act.
  - 7) An employee, agent or member described in subsection (1) who refrains from doing anything prohibited under that subsection, but for that subsection, would have been within his or her duties shall disclose the conflict of interest to the procuring entity
  - 8) If a person contravenes subsection (1) with respect to a conflict of interest described in subsection (5)(a) and the contract is awarded to the person or his relative or to another person in whom one of them had a direct or indirect pecuniary interest, the contract shall be terminated and all costs incurred by the public entity shall be made good by the awarding officer. Etc.

23 In compliance with Kenya’s laws, regulations and policies mentioned above, the Procuring Entity:

- a) Defines broadly, for the purposes of the above provisions, the terms set forth below as follows:
  - i) “corrupt practice” is the offering, giving, receiving, or soliciting, directly or indirectly, of anything of value to influence improperly the actions of another party;
  - ii) “Fraudulent practice” is any act or omission, including misrepresentation, that knowingly or recklessly misleads, or attempts to mislead, a party to obtain financial or other benefit or to avoid an obligation;
  - iii) “Collusive practice” is an arrangement between two or more parties designed to achieve an improper purpose, including to influence improperly the actions of another party;
  - iv) “Coercive practice” is impairing or harming, or threatening to impair or harm, directly or indirectly, any party or the property of the party to influence improperly the actions of a party;
  - v) “Obstructive practice” is:
    - deliberately destroying, falsifying, altering, or concealing of evidence material to the investigation or making false statements to investigators in order to materially impede investigation by Public Procurement Regulatory Authority (PPRA) or any other appropriate authority appointed by Government of Kenya into allegations of a corrupt, fraudulent, coercive, or collusive practice; and/or threatening, harassing, or intimidating any party to prevent it from disclosing its knowledge of matters relevant to the investigation or from pursuing the investigation; or
    - acts intended to materially impede the exercise of the PPRA's or the appointed authority's inspection and audit rights provided for under paragraph 2.3 e. below.
- b) Defines more specifically, in accordance with the above procurement Act provisions set forth for fraudulent and collusive practices as follows:

"fraudulent practice" includes a misrepresentation of fact in order to influence a procurement or disposal process or the exercise of a contract to the detriment of the procuring entity or the tenderer or the contractor, and includes collusive practices amongst tenderers prior to or after tender submission designed to establish tender prices at artificial non-competitive levels and to deprive the procuring entity of the benefits of free and open competition.
- c) Rejects a proposal for award<sup>1</sup> of a contract if PPRA determines that the firm or individual recommended for award, any of its personnel, or its agents, or its sub-consultants, sub-contractors, service providers, suppliers and/ or their employees, has, directly or indirectly, engaged in corrupt, fraudulent, collusive, coercive, or obstructive practices in competing for the contract in question;
- d) Pursuant to the Kenya’s above stated Acts and Regulations, may sanction or debar or recommend to appropriate authority (ies) for sanctioning and debarment of a firm or individual, as applicable under the Acts and Regulations;
- e) Requires that a clause be included in Tender documents and Request for Proposal documents requiring (i) Tenderers (applicants/proposers), Consultants, Contractors, and Suppliers, and their Sub-contractors, Sub-consultants, Service providers,

Suppliers, Agents personnel, permit the PPRA or any other appropriate authority appointed by Government of Kenya to inspect<sup>2</sup> all accounts, records and other documents relating to the procurement process, selection and/or contract execution, and to have them audited by auditors appointed by the PPRA or any other appropriate authority appointed by Government of Kenya; and

- f) Pursuant to Section 62 of the above Act, requires Applicants/Tenderers to submit along with their Applications/Tenders/Proposals a “Self-Declaration Form” as included in the procurement document declaring that they and all parties involved in the procurement process and contract execution have not engaged/will not engage in any corrupt or fraudulent practices.

---

<sup>1</sup>For the avoidance of doubt, a party's ineligibility to be awarded a contract shall include, without limitation, (i) applying for pre-qualification, expressing interest in a consultancy, and tendering, either directly or as a nominated sub-contractor, nominated consultant, nominated manufacturer or supplier, or nominated service provider, in respect of such contract, and (ii) entering into an addendum or amendment introducing a material modification to any existing contract.

<sup>2</sup> Inspections in this context usually are investigative (i.e., forensic) in nature. They involve fact-finding activities undertaken by the Investigating Authority or persons appointed by the Procuring Entity to address specific matters related to investigations/audits, such as evaluating the veracity of an allegation of possible Fraud and Corruption, through the appropriate mechanisms. Such activity includes but is not limited to: accessing and examining a firm's or individual's financial records and information, and making copies thereof as relevant; accessing and examining any other documents, data and information (whether in hard copy or electronic format) deemed relevant for the investigation/audit, and making copies thereof as relevant; interviewing staff and other relevant individuals; performing physical inspections and site visits; and obtaining third party verification of information.

## TENDERER INFORMATION FORM

*[The tenderer shall fill in this Form in accordance with the instructions indicated below. No alterations to its format shall be permitted and no substitutions shall be accepted.]*

Date: ..... *[insert date (as day, month and year) of Tender submission]*

**Tender Name and Identification:** ..... *[Insert identification]*

Alternative No.: ..... *[insert identification No if this is a Tender for an alternative]* Page

\_\_\_\_\_ of \_\_\_\_\_ pages

1. Tenderer's Name <i>[insert Tenderer's legal name]</i>
2. In case of JV, legal name of each member: <i>[insert legal name of each member in JV]</i>
3. Tenderer's actual or intended country of registration: <i>[insert actual or intended country of registration]</i>
4. Tenderer's year of registration: <i>[insert Tenderer's year of registration]</i>
5. Tenderer's Address in country of registration: <i>[insert Tenderer's legal address in country of registration]</i>
6. Tenderer's Authorized Representative Information Name: <i>[insert Authorized Representative's name]</i> Address: <i>[insert Authorized Representative's Address]</i> Telephone/Fax numbers: <i>[insert Authorized Representative's telephone/fax numbers]</i> Email Address: <i>[insert Authorized Representative's email address]</i>
7. Attached are copies of original documents of <i>[check the box(es) of the attached original documents]</i> <input type="checkbox"/> For Kenyan Tenderers a current tax clearance certificate or tax exemption certificate issued by the Kenya Revenue Authority in accordance with ITT 3.14. <input type="checkbox"/> Articles of Incorporation (or equivalent documents of constitution or association), and/or documents of registration of the legal entity named above, in accordance with ITT 3.4. <input type="checkbox"/> In case of JV, letter of intent to form JV or JV agreement, in accordance with ITT 3.1. <input type="checkbox"/> In case of state-owned enterprise or institution, in accordance with ITT 4.6 documents establishing: (i) Legal and financial autonomy (ii) Operation under commercial law (iii) Establishing that the tenderer is not under the supervision of the Procuring Entity
2. Included are the organizational chart, a list of Board of Directors, and the beneficial ownership.

## TENDERER'S ELIGIBILITY- CONFIDENTIAL BUSINESS QUESTIONNAIRE FORM

a) Instruction to Tenderer



Tenderer is instructed to complete the particulars required in this Form, one form for each entity if Tender is a JV. Tenderer is further reminded that it is an offence to give false information on this Form.

**A. Tenderer's details**

	<b>ITEM</b>	<b>DESCRIPTION</b>
1	Name of the Procuring Entity	
2	Name of the Tenderer	
3	Full Address and Contact Details of the Tenderer.	1. Country 2. City 3. Location 4. Building 5. Floor 6. Postal Address 7. Name and email of contact person.
4	Reference Number of the Tender	
5	Date and Time of Tender Opening	
6	Current Trade License No and Expiring date	
7	Maximum value of business which the Tenderer handles.	
8		

**General and Specific Details**

b) Sole Proprietor, provide the following details.

Name in full \_\_\_\_\_

Age \_\_\_\_\_ Nationality \_\_\_\_\_

Country of Origin \_\_\_\_\_ Citizenship \_\_\_\_\_

c) Partnership, provide the following details.

	<b>Names of Partners</b>	<b>Nationality</b>	<b>Citizenship</b>	<b>% Shares owned</b>
1				
2				
3				

(d) Registered Company, provide the following details.

i) Private or public Company \_\_\_\_\_

ii) State the nominal and issued capital of the Company-

Nominal Kenya Shillings (Equivalent) .....

Issued Kenya Shillings (Equivalent) .....

iii) Give details of Directors as follows.

	<b>Names of Director</b>	<b>Nationality</b>	<b>Citizenship</b>	<b>% Shares owned</b>
1				
2				
3				

(e) DISCLOSURE OF INTEREST- Interest of the Firm in the Procuring Entity.

(i) Are there any person/persons in ..... (Name of Procuring Entity) who has an interest or relationship in this firm? Yes/No.....

If yes, provide details as follows.

	<b>Names of Person</b>	<b>Designation in the Procuring Entity</b>	<b>Interest or Relationship with Tenderer</b>
1			
2			
3			

(ii) Conflict of interest disclosure

	<b>Type of Conflict</b>	<b>Disclosure YES OR NO</b>	<b>If YES provide details of the relationship with Tenderer</b>
1	Tenderer is directly or indirectly controlled by or is under common control with another tenderer.		
2	Tenderer receives or has received any direct or indirect subsidy from another tenderer.		
3	Tenderer has the same legal representative as another tenderer		
4	Tender has a relationship with another tenderer, directly or through common third parties that puts it in a position to influence the tender of another tenderer, or influence the decisions of the Procuring Entity regarding this tendering process.		
5	Any of the Tenderer's affiliates participated as a consultant in the preparation of the design or technical specifications of the works that are the subject of the tender.		
6	Tenderer would be providing goods, works, non-consulting services or consulting services during implementation of the contract specified in this Tender Document.		
7	Tenderer has a close business or		

	Type of Conflict	Disclosure YES OR NO	If YES provide details of the relationship with Tenderer
	family relationship with a professional staff of the Procuring Entity who are directly or indirectly involved in the preparation of the Tender document or specifications of the Contract, and/or the Tender evaluation process of such contract.		
8	Tenderer has a close business or family relationship with a professional staff of the Procuring Entity who would be involved in the implementation or supervision of the Contract.		
9	Has the conflict stemming from such relationship stated in item 7 and 8 above been resolved in a manner acceptable to the Procuring Entity throughout the tendering process and execution of the Contract?		

(f) Certification

On behalf of the Tenderer, I certify that the information given above is correct.

Full Name \_\_\_\_\_

Title or Designation \_\_\_\_\_

(Signature) \_\_\_\_\_

(Date) \_\_\_\_\_

## TENDERER'S JV MEMBERS INFORMATION FORM

*[The tenderer shall fill in this Form in accordance with the instructions indicated below. The following table shall be filled in for the tenderer and for each member of a Joint Venture]].*

**Date:** .....*[insert date (as day, month and year) of Tender submission].*

**Tender Name and Identification:** .....*[insert identification*

**Alternative No.:** .....*[insert identification No if this is a Tender for an alternative].*

1. Tenderer's Name: <i>[insert Tenderer's legal name]</i>
2. Tenderer's JV Member's name: <i>[insert JV's Member legal name]</i>
3. Tenderer's JV Member's country of registration: <i>[insert JV's Member country of registration]</i>
4. Tenderer's JV Member's year of registration: <i>[insert JV's Member year of registration]</i>
5. Tenderer's JV Member's legal address in country of registration: <i>[insert JV's Member legal address in country of registration]</i>
6. Tenderer's JV Member's authorized representative information Name: <i>[insert name of JV's Member authorized representative]</i> Address: <i>[insert address of JV's Member authorized representative]</i> Telephone/Fax numbers: <i>[insert telephone/fax numbers of JV's Member authorized representative]</i> Email Address: <i>[insert email address of JV's Member authorized representative]</i>
7. Attached are copies of original documents of <i>[check the box(es) of the attached original documents]</i> <input type="checkbox"/> Articles of Incorporation (or equivalent documents of constitution or association), and/or registration documents of the legal entity named above, in accordance with ITT 4.4. <input type="checkbox"/> In case of a state-owned enterprise or institution, documents establishing legal and financial autonomy, operation in accordance with commercial law, and that they are not under the supervision of the Procuring Entity, in accordance with ITT 4.6.
8. Included are the organizational chart, a list of Board of Directors, and the beneficial ownership.

**FORM OF TENDER SECURITY- [Option 1–Demand Bank Guarantee]**

**Beneficiary:** \_\_\_\_\_

**Request for Tenders No:**

\_\_\_\_\_  
**Date:** \_\_\_\_\_

**TENDER GUARANTEE No.:** \_\_\_\_\_

**Guarantor:** \_\_\_\_\_

1. We have been informed that \_\_\_\_\_ (herein after called "the Applicant") has submitted or will submit to the Beneficiary its Tender (herein after called" the Tender") for the execution of \_\_\_\_\_ under Request for Tenders No. \_\_\_\_\_ ("the ITT").
2. Furthermore, we understand that, according to the Beneficiary's conditions, Tenders must be supported by a Tender guarantee.
3. At the request of the Applicant, we, as Guarantor, hereby irrevocably undertake to pay the Beneficiary any sum or sums not exceeding in total an amount of \_\_\_\_\_ upon receipt by us of the Beneficiary's complying demand, supported by the Beneficiary's statement, whether in the demand itself or a separate signed document accompanying or identifying the demand, stating that either the Applicant:
  - (a) has withdrawn its Tender during the period of Tender validity set forth in the Applicant's Letter of Tender ("the Tender Validity Period"), or any extension thereto provided by the Applicant; or
  - b) having been notified of the acceptance of its Tender by the Beneficiary during the Tender Validity Period or any extension there to provide by the Applicant, (i) has failed to execute the contract agreement, or (ii) has failed to furnish the Performance.
4. This guarantee will expire: (a) if the Applicant is the successful Tenderer, upon our receipt of copies of the contract agreement signed by the Applicant and the Performance Security and, or (b) if the Applicant is not the successful Tenderer, upon the earlier of (i) our receipt of a copy of the Beneficiary's notification to the Applicant of the results of the Tendering process; or (ii) thirty days after the end of the Tender Validity Period.
5. Consequently, any demand for payment under this guarantee must be received by us at the office indicated above on or before that date.

\_\_\_\_\_  
*[signature(s)]*

**FORMAT OF TENDER SECURITY [Option 2–Insurance Guarantee]**

**TENDER GUARANTEE No.:** \_\_\_\_\_

1. Whereas ..... [Name of the tenderer] (hereinafter called “the tenderer”) has submitted its tender dated ..... [Date of submission of tender] for the ..... [Name and/or description of the tender] (hereinafter called “the Tender”) for the execution of under Request for Tenders No. \_\_\_\_\_ (“the ITT”).

2. KNOW ALL PEOPLE by these presents that WE ..... of ..... [Name of Insurance Company] having our registered office at ..... (hereinafter called “the Guarantor”), are bound unto ..... [Name of Procuring Entity] (hereinafter called “the Procuring Entity”) in the sum of ..... (Currency and guarantee amount) for which payment well and truly to be made to the said Procuring Entity, the Guarantor binds itself, its successors and assigns, jointly and severally, firmly by these presents.

Sealed with the Common Seal of the said Guarantor this \_\_\_ day of \_\_\_\_\_ 20 \_\_.

3. NOW, THEREFORE, THE CONDITION OF THIS OBLIGATION is such that if the Applicant:
- a) has withdrawn its Tender during the period of Tender validity set forth in the Principal’s Letter of Tender (“the Tender Validity Period”), or any extension thereto provided by the principal; or
  - b) having been notified of the acceptance of its Tender by the Procuring Entity during the Tender Validity Period or any extension thereto provided by the Principal; (i) failed to execute the Contract agreement; or (ii) has failed to furnish the Performance Security, in accordance with the Instructions to tenderers (“ITT”) of the Procuring Entity's Tendering document.

then the guarantee undertakes to immediately pay to the Procuring Entity up to the above amount upon receipt of the Procuring Entity's first written demand, without the Procuring Entity having to substantiate its demand, provided that in its demand the Procuring Entity shall state that the demand arises from the occurrence of any of the above events, specifying which event(s) has occurred.

4. This guarantee will expire: (a) if the Applicant is the successful Tenderer, upon our receipt of copies of the contract agreement signed by the Applicant and the Performance Security and, or (b) if the Applicant is not the successful Tenderer, upon the earlier of (i) our receipt of a copy of the Beneficiary's notification to the Applicant of the results of the Tendering process; or (ii) twenty-eight days after the end of the Tender Validity Period.
5. Consequently, any demand for payment under this guarantee must be received by us at the office indicated above on or before that date.

\_\_\_\_\_

*[Date ]*

\_\_\_\_\_

*[Witness]*

\_\_\_\_\_

*[Signature of the Guarantor]*

\_\_\_\_\_

*[Seal]*

*Note: All italicized text is for use in preparing this form and shall be deleted from the final product.*

**FORM OF TENDER-SECURING DECLARATION**

*[The Bidder shall complete this Form in accordance with the instructions indicated]*

Date: .....*[insert date (as day, month and year) of Tender Submission]*

Tender No.: ..... *[Insert number of tendering processes]*

To: .....

I/We, the undersigned, declare that:

- 1. I/We understand that, according to your conditions, bids must be supported by a Tender-Securing Declaration
- 2. I/We accept that I/we will automatically be suspended from being eligible for tendering in any contract with the Purchaser for the period of time of .....*[insert number of months or years]* starting on .....*[insert date]*, if we are in breach of our obligation(s) under the bid conditions, because we – (a) have withdrawn our tender during the period of tender validity specified by us in the Tendering Data Sheet; or (b) having been notified of the acceptance of our Bid by the Purchaser during the period of bid validity, (i) fail or refuse to execute the Contract, if required, or (ii) fail or refuse to furnish the Performance Security, in accordance with the instructions to tenders.
- 3. I/We understand that this Tender Securing Declaration shall expire if we are not the successful Tenderer(s), upon the earlier of:
  - a) our receipt of a copy of your notification of the name of the successful Tenderer; or
  - b) thirty days after the expiration of our Tender.
- 4. I/We understand that if I am/we are/in a Joint Venture, the Tender Securing Declaration must be in the name of the Joint Venture that submits the bid, and the Joint Venture has not been legally constituted at the time of bidding, the Tender Securing Declaration shall be in the names of all future partners as named in the letter of intent.

Signed.....

Capacity / title (director or partner or sole proprietor, etc.) .....

.....

Name: .....

Duly authorized to sign the bid for and on behalf of: .....*[insert complete name of*

*Tenderer]*. Dated on ..... day of..... *[Insert date of signing]*.

Seal or stamp.

**MANUFACTURER’S AUTHORIZATION FORM**

*[The tenderer shall require the Manufacturer to fill in this Form in accordance with the instructions indicated. This letter of authorization should be on the letterhead of the Manufacturer and should be signed by a person with the proper authority to sign documents that are binding on the Manufacturer. The tenderer shall include it in its Tender, if so indicated in the TDS.]*

**Date:** .....*[insert date (as day, month and year) of Tender submission]*

**ITT No.:** .....*[insert number of ITT process]*

To: .....

WHEREAS;

We..... *[insert complete name of Manufacturer]*, who are official manufacturers of.....*[insert type of goods manufactured]*, having factories at ..... *[insert full address of Manufacturer’s factories]*, do hereby authorize..... *[insert complete name of tenderer]* to submit a Tender the purpose of which is to provide the following Goods, manufactured by us..... *[insert name and or brief description of the Goods]*, and to subsequently negotiate and sign the Contract.

We hereby extend our full guarantee and warranty in accordance with Clause 28 of the General Conditions of Contract, with respect to the Goods offered by the above firm.

Signed: ..... *[Insert signature(s) of authorized representative(s) of the Manufacturer]*

Name: .....*[Insert complete name(s) of authorized representative(s) of the Manufacturer]*

Title: ..... *[Insert title]*

Dated on \_\_\_\_\_ day of \_\_\_\_\_ *[insert date of signing]*



---

## **PART 2: SUPPLY REQUIREMENTS**

---

**TENDER NO. MAWASCO/OT/ 002/24/25/26**  
**SUPPLY AND DELIVERY OF WATER PIPES**

**1. List of Goods and Delivery Schedule**

Items under this contract will be ordered as and when required during the period of two (2) years commencing on 1<sup>st</sup> July 2024 and ending on 30<sup>th</sup> June 2026

<b>Galvanized steel pipes Threaded and socketed, KS 06 - 259: 1998 (BS 1387/85 )</b>					
<b>No.</b>	<b>Item Description</b>	<b>Size</b>	<b>Unit</b>	<b>UNIT PRICE</b>	<b>REMARKS</b>
1.	G.I Pipes Class "B"	½’’ diameter	6m length		
2.	G.I Pipes Class "B"	¾’’ diameter	6m length		
3.	G.I Pipes Class "B"	1’’ diameter	6m length		
4.	G.I Pipes Class "B"	1 ½’’ diameter	6m length		
5.	G.I Pipes Class "B"	2’’ diameter	6m length		
6.	G.I Pipes Class "B"	3’’ diameter	6m length		
7.	G.I Pipes Class "B"	4’’ diameter	6m length		
<b>Double Flanged Steel Pipes (Class B) KS 06 – 259: 1998 (BS 1387/85)</b>					
8.	Steel Pipe Class "B"	2" diameter	6m length		
9.	Steel Pipe Class "B"	3" diameter	6m length		
10.	Steel Pipe Class "B"	4" diameter	6m length		
11.	Steel Pipe Class "B"	6" diameter	6m length		
12.	Steel Pipe Class "B"	8" diameter	6m length		
<b>Plain Ended Steel Pipes (class B) to KS 06 – 259: 1998 (BS 1387/85 )</b>					
13.	Plain Steel Pipe	2" diameter	6m length		
14.	Plain Steel Pipe	3" diameter	6m length		
15.	Plain Steel Pipe	4" diameter	6m length		
16.	Plain Steel Pipe	6" diameter	6m length		
17.	Plain Steel Pipe	8" diameter	6m length		
<b>Perforated Steel pipe, (Class “B”), spigot, KS 06 - 259: 1998 (BS 1387/85) for filter media</b>					
18.	Perforated Steel Pipe	6" diameter	6m length		

19.	Perforated Steel Pipe	8" diameter	6m length		
20.	Perforated Steel Pipe	10" diameter	6m length		
21.	Perforated Steel Pipe	12" diameter	6m length		
<b>uPVC Pressure Pipes KS ISO 4422 Standard</b>					
22.	Upvc pressure pipe PN 10	32mm	Nos		
23.	Upvc pressure pipe PN 10	50mm	Nos		
24.	Upvc pressure pipe PN 10	63mm	Nos		
25.	Upvc pressure pipe PN 10	90mm	Nos		
26.	Upvc pressure pipe PN 10	110mm	Nos		
27.	Upvc pressure pipe PN 10	160 mm	Nos		
28.	Upvc pressure pipe PN 10	225mm	Nos		
29.	Upvc pressure pipe PN 10	280mm	Nos		
30.	Upvc pressure pipe PN 10	315mm	Nos		
31.	Upvc presure pipe PN12.5	20mm	Nos		
32.	Upvc presure pipe PN12.5	25 mm	Nos		
33.	Upvc presure pipe PN12.5	32 mm	Nos		
34.	Upvc presure pipe PN12.5	50 mm	Nos		
35.	Upvc pressure pipe PN12.5	63 mm	Nos		
36.	Upvc presure pipe PN12.5	75 mm	Nos		
37.	Upvc presure pipe PN12.5	90 mm	Nos		
38.	Upvc presure pipe PN12.5	110mm	Nos		
39.	Upvc presure pipe PN12.5	160 mm	Nos		
40.	Upvc presure pipe PN12.5	225 mm	Nos		
41.	Upvc presure pipe PN12.5	280 mm	Nos		
42.	Upvc presure pipe PN12.5	315 mm	Nos		
43.	Upvc presure pipe PN16	20mm	Nos		
44.	Upvc presure pipe PN16	25 mm	Nos		
45.	Upvc presure pipe PN16	32 mm	Nos		
46.	Upvc presure pipe PN16	50 mm	Nos		
47.	Upvc presure pipe PN16	63 mm	Nos		
48.	Upvc presure pipe PN16	75 mm	Nos		

49.	Upvc presure pipe PN16	90 mm	Nos		
50.	Upvc presure pipe PN16	110mm	Nos		
51.	Upvc presure pipe PN16	160 mm	Nos		
52.	Upvc presure pipe PN16	225 mm	Nos		
53.	Upvc presure pipe PN16	280 mm	Nos		
54.	Upvc presure pipe PN16	315 mm	Nos		
<b>PPR PIPES</b>					
55.	P.P.R.Pipes PN 16	20 mm	Nos		
56.	P.P.R.Pipes PN 16	25 mm	Nos		
57.	P.P.R.Pipes PN 16	32 mm	Nos		
58.	P.P.R.Pipes PN 16	50 mm	Nos		
59.	P.P.R.Pipes PN 16	63 mm	Nos		
60.	P.P.R.Pipes PN 16	90 mm	Nos		
61.	P.P.R.Pipes PN 16	110 mm	Nos		
<b>HDPE Pipes Based on PE100 material</b>					
62.	HDPE Pipes PN 10	20mm	Meters		
63.	HDPE Pipes PN 10	25mm	Meters		
64.	HDPE Pipes PN 10	32mm	Meters		
65.	HDPE Pipes PN 10	40mm	Meters		
66.	HDPE Pipes PN 10	50mm	Meters		
67.	HDPE Pipes PN 10	63mm	Meters		
68.	HDPE Pipes PN 10	75mm	Meters		
69.	HDPE Pipes PN 10	90mm	Meters		
70.	HDPE Pipes PN 10	110mm	Meters		
71.	HDPE Pipes PN 10	160mm	Meters		
72.	HDPE Pipes PN 10	225mm	Meters		
73.	HDPE Pipes PN 10	280mm	Meters		
74.	HDPE Pipes PN 12.5	20mm	Meters		
75.	HDPE Pipes PN 12.5	25mm	Meters		

76.	HDPE Pipes PN 12.5	32mm	Meters		
77.	HDPE Pipes PN 12.5	40mm	Meters		
78.	HDPE Pipes PN 12.5	50mm	Meters		
79.	HDPE Pipes PN 12.5	63mm	Meters		
80.	HDPE Pipes PN 12.5	75mm	Meters		
81.	HDPE Pipes PN 12.5	90mm	Meters		
82.	HDPE Pipes PN 12.5	110mm	Meters		
83.	HDPE Pipes PN 12.5	160mm	Meters		
84.	HDPE Pipes PN 12.5	225mm	Meters		
85.	HDPE Pipes PN 12.5	280mm	Meters		
86.	HDPE PipesPN16	20mm	Meters		
87.	HDPE Pipes PN16	25mm	Meters		
88.	HDPE Pipes PN16	32mm	Meters		
89.	HDPE Pipes PN16	40mm	Meters		
90.	HDPE PipesPN16	50mm	Meters		
91.	HDPE Pipes PN16	63mm	Meters		
92.	HDPE Pipes PN16	75mm	Meters		
93.	HDPE Pipes PN16	90mm	Meters		
94.	HDPE Pipes PN16	110mm	Meters		
95.	HDPE Pipes PN16	160mm	Meters		
96.	HDPE Pipes PN16	225mm	Meters		
97.	HDPE Pipes PN16	280mm	Meters		
<b>Waste water Pipes Class 41</b>					
98.	Waste water pipe	4"	Nos		
99.	Waste water pipe	6"	Nos		
100.	Waste water pipe	8"	Nos		
101.	Waste water pipe	10"	Nos		
102.	Waste water pipe	12"	Nos		
<b>IPS Pipes (KS 06-149, metric series)</b>					
103.	150mm Class C				

104.	200 mm Class C				
105.	250mm Class C				
<b>Double Walled Corrugated (DWC) PE pipes- ISO 21138/3-DWC</b>					
106.	Double Walled Corrugated pipes SN4	100mm	Nos		
107.	Double Walled Corrugated pipes SN4	150mm	Nos		
108.	Double Walled Corrugated pipes SN4	200mm	Nos		
109.	Double Walled Corrugated pipes SN4	250mm	Nos		
110.	Double Walled Corrugated pipes SN4	300mm	Nos		
111.	Double Walled Corrugated pipes SN4	400mm	Nos		
112.	Double Walled Corrugated pipes SN4	500mm	Nos		
113.	Double Walled Corrugated pipes SN4	600mm	Nos		
114.	Double Walled Corrugated pipes SN8	100mm	Nos		
115.	Double Walled Corrugated pipes SN8	150mm	Nos		
116.	Double Walled Corrugated pipes SN8	200mm	Nos		
117.	Double Walled Corrugated pipes SN8	250mm	Nos		
118.	Double Walled Corrugated pipes SN8	300mm	Nos		
119.	Double Walled Corrugated pipes SN8	400mm	Nos		
120.	Double Walled Corrugated pipes SN8	500mm	Nos		
121.	Double Walled Corrugated pipes SN8	600mm	Nos		

122.	Double Walled Corrugated pipes SN8	300mm	Nos		
<b>uPVC Bends as per ISO 4422</b>					
123.	Bend 90°	50 mm	Nos		
124.	Bend 90°	63 mm	Nos		
125.	Bend 90°	90 mm	Nos		
126.	Bend 90°	110 mm	Nos		
127.	Bend 90°	160 mm	Nos		
128.	Bend 90°	225 mm	Nos		
129.	Bend 90°	280 mm	Nos		
130.	Bend 90°	315 mm	Nos		
131.	Bend 45°	50 mm	Nos		
132.	Bend 45°	63 mm	Nos		
133.	Bend 45°	90 mm	Nos		
134.	Bend 45°	110 mm	Nos		
135.	Bend 45°	160 mm	Nos		
136.	Bend 45°	225 mm	Nos		
137.	Bend 45°	280 mm	Nos		
138.	Bend 45°	315 mm	Nos		
139.	Bend 22 °	160 mm	Nos		
140.	Bend 22 °	225 mm	Nos		
141.	Bend 22 °	280 mm	Nos		
142.	Bend 22 °	315 mm	Nos		
<b>GI flanged bend (medium grade)</b>					
143.	2" X 90°				
144.	3" X 90°				
145.	4" X 90°				
146.	6" X 90°				
147.	8" X 90°				
148.	2" X 45°				

149.	3" X 45°				
150.	4" X 45°				
151.	6" X 45°				
152.	8" X 45°				

TENDERER'S NAME ..... SIGNATURE .....

ADDRESS .....DATE .....

WITNESS NAME.....SIGNATURE.....

ADDRESS ..... DATE .....

TELEPHONE .....



## 2.0: TECHNICAL SPECIFICATIONS

### 2.1 HDPE PE 100 PIPES MANUFACTURED TO ISO 4427-2:2007 STANDARD

1	Compound Material	The material from which the pipes are made shall be in accordance with ISO 4427-1. All pipes shall be manufactured using <b>pre-compounded carbon black, bimodal, high density polyethylene MRS10.0 material (PE100)</b> . The use of natural PE100 with a Carbon black master batch is <b>strictly not allowed</b> . Carbon black should be well dispersed to give outstanding UV resistance, and should have a minimum carbon content of 2%.
2	Identification compound	The compound used for identification stripes shall be manufactured from a PE polymer manufactured from the same type of base polymer as used in the compound for pipe production.
3	General appearance	When viewed without magnification, the internal and external surfaces of pipes shall be smooth, clean and free from scoring, cavities and other surface defects such as would prevent conformity of the pipe to ISO 4427. The pipe ends shall be cut cleanly and square to the axis of the pipe.
4	Colour	The pipes shall be black with coloured identification stripes with protection from UV light.
5	Test	The HDPE pipes must undergo and pass the following test after manufacturing and test certificate provided
5a	Hydrostatic Pressure Test	Pipes shall withstand without bursting or leakage the hydrostatic stress induced by internal hydrostatic pressure when tested in accordance with ISO 1167-1 using the test conditions specified in section 7.2 (e.g. 124 bars @ 20 degrees Celsius for PE100)
<b>6</b>	<b>Dimension</b>	
6a	General	The dimensions of the pipes shall be measured in accordance with ISO 3126. Manufacturing shall be to ISO 4427 Standard, as per annexed dimensional chart
6b	Lengths and coils	Where coiling is possible, the minimum internal diameter of the coil shall be not less than $18d_n$ .  The lengths shall be supplied to minimize the number of joints to be done in the field, and the size that is allowed to be legally transported on Kenyan roads by the traffic department. ≤90 mm is 100m length coils; 110mm in 50m length coils and ≥125mm in 12m length coils
<b>7</b>	<b>Marking</b>	
	General	All pipes shall be permanently and legibly marked in such a way that the marking does not initiate cracks or other type of failure and such that normal storage, weathering, handling, installation and use does not affect the legibility of the marking. The colour of the printed information shall differ from the basic colour of the product. The marking shall be such that it is legible without magnification. <b>The frequency of marking shall not be less than once per meter</b>
7a	Stripe Marking	Each pipe shall a minimum of 3 equal spaced blue longitudinal stripes indicating medium of fluid transported in the pipes

7b	The minimum required marking shall be in accordance with Table 1, with the frequency of marking being <b>not less than once per meter</b>	
	<b>Aspect</b>	<b>Marking</b>
	Standard Number	ISO4427
	Manufacturer's identification	Name or symbol
	Dimensions ( $d_n \times e_n$ )	e.g. 225 x 20.5
	SDR series (for DN > 32)	e.g. SDR11
	Material and designation	PE100
	Pressure rating in bars	e.g. PN16
	Production period (date or code)	e.g. 02/04/15 <sup>a</sup>
	Country of Production	Kenya
	<sup>a</sup> -In clear figures or in code providing traceability to the production period within year month and ,if the manufacturer is producing at different sites ,the production site.	

## 2.2 TECHNICAL SPECIFICATION FOR DOUBLE WALLED CORRUGATED PIPES STRUCTURED WALL PIPING SYSTEMS IN POLYETHYLENE (PE) ISO 21138/3 – DWC

### 2.2.1 General appearance

Double wall corrugated pipes must be manufactured using two layers of High-Density Polyethylene (HDPE) raw material. The pipe will have a corrugated outer skin, forming ribs and bonded to the internal skin of the pipe leaving a smooth inner surface. This inner surface will be free of cracks, deformities and will ensure smooth flow properties throughout the pipeline. The pipe shall be socketed on one side, and have a spigot on the other. The internal colour shall be a light reflective colour to reflect light to ease camera inspection. An elastomeric rubber water sealing ring will be placed on the spigot side to create a strong seal between the spigot and socket.

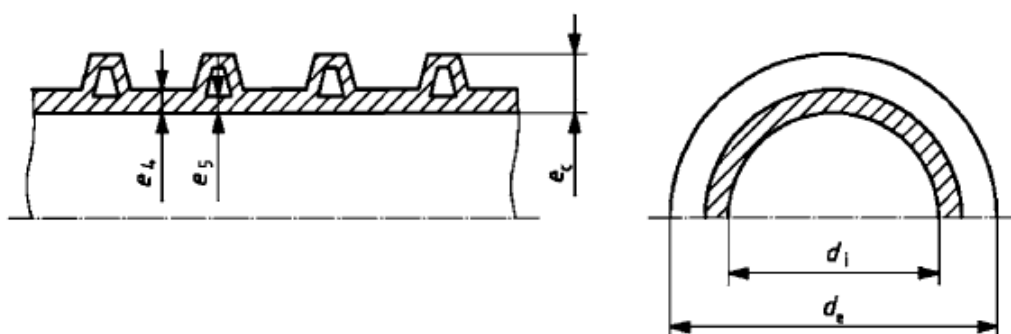
**The HDPE material must be PE100 type material, certified by the PE100+ association.**

The pipe must have a coextruded line on the pipe of a different colour for easy identification of the fluid within the pipe. Pipes that do not have this coextruded stripe will not be accepted

### 2.2.2 Manufacturing process

The pipe must be manufactured in a horizontal corrugator with water cooled mould blocks that keeps the ovality to a minimum, and contraction consistent. The pipes shall use suitable PE to acquire the required stiffness and deflection characteristics describe below. The pipe will have inline socketing, with the required socket diameter to create a water tight seal with the help of an elastomeric ring.

The pipe will have a plain smooth inside surface, with an annular ribbed external surface. As shown in the diagram below:



*Figure 1 –  
corrugation  
diagram*  
The profile of the corrugation may change to design requirement for desired ring

stiffness for pipe.

### 2.2.3 Materials

PE (Polyethylene) material characteristics described in the table below:

Characteristic	Requirements	Test parameters		Test method
Resistance to internal pressure 165 h <sup>a, b</sup>	No failure during the test period	End caps	Type A or B	ISO 1167-1
		Test temperature	80 °C	ISO 1167-2
		Orientation	Free	
		Number of test pieces	3	
		Circumferential stress	4,0 MPa	
		Conditioning period	In accordance with ISO 1167-1	
		Type of test	Water-in-water	
		Test period	165 h	
Resistance to internal pressure 1 000 h <sup>a, b</sup>	No failure during the test period	End caps	Type A or B	ISO 1167-1
		Test temperature	80 °C	ISO 1167-2
		Orientation	Free	
		Number of test pieces	3	
		Circumferential stress	2,8 MPa	
		Conditioning period	In accordance with ISO 1167-1	
		Type of test	Water-in-water	
		Test period	1 000 h	
Melt mass-flow rate	≤ 1,6 g/10 min	Temperature	190 °C	ISO 1133:2005
		Loading mass	5 kg	Condition T
Thermal stability, OIT <sup>c</sup>	≥ 20 min	Temperature	200 °C	ISO 11357-6
Reference density	≥ 930 kg/m <sup>3</sup>	In accordance with ISO 1183-1		ISO 1183-1
<sup>a</sup> This test shall be carried out in the form of a solid-wall pipe made from the relevant extrusion material.				
<sup>b</sup> For injection-moulding compounds this test shall be carried out in the form of an injection-moulded or extruded sample in solid-wall pipe form made from the relevant material.				
<sup>c</sup> This requirement is only valid for pipes and fittings intended to be jointed in field by fusing or welding.				

PE material of MRS 1000Mpa is advisable, and should have a minimum carbon content (for outer layer) of 2% to achieve UV resistant characteristics

### Typical spigot & socket joint

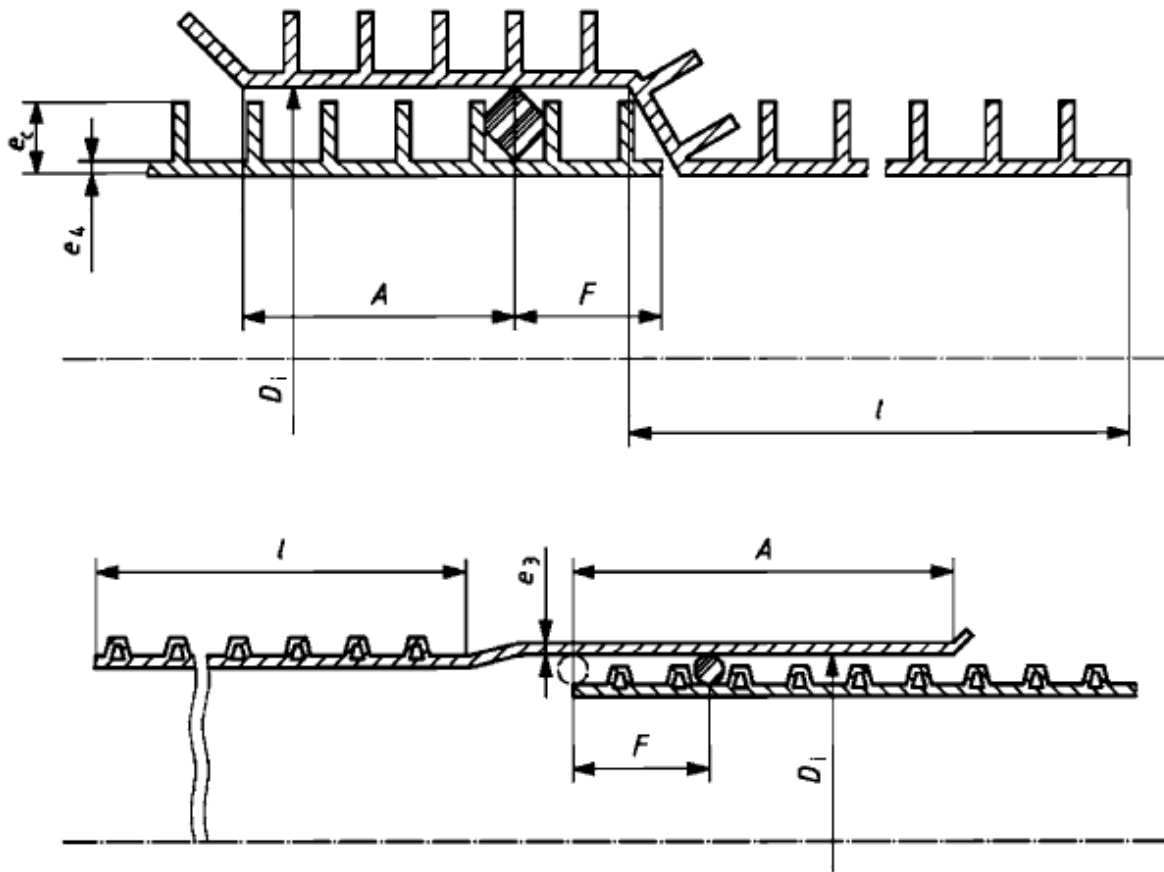


Figure 2 – examples of sealing ring joints

Above are typical examples of elastomeric sealing ring joints, with the sealing ring located on the spigot. Below is a table showing the following: Nominal sizes, minimum internal diameters, thickness of inside layers and socket length. These must be strictly adhered to or exceeded under the ISO 21138 standard for structured wall pipes.

The indications for e4, e5 and A(min) can be seen on figure 1 above as a reference diagram.

Internal Diameter (mm)	Minimum wall thickness		A (min) (mm)
	e4 (min) (mm)	e5 (min) (mm)	
100	1.00	1.00	32.00
150	1.30	1.00	43.00
200	1.50	1.10	54.00
250	1.80	1.50	59.00
300	2.00	1.70	64.00
400	2.50	2.30	74.00
500	3.00	3.00	85.00
600	3.50	3.50	96.00
800	4.50	4.50	110.00
1000	5.00	5.00	140.00
1200	5.00	5.00	162.00

Please note that the thickness (e4) is the

minimum inner skin minimum requirement

for survivability for hard sewage mediums, and integrity for the lifespan of the pipe. In addition to the minimum required wall thickness of sockets and spigots, their ring stiffness, when determined in accordance with ISO 9969, shall conform to the following equation:

$$S_{so} + S_{sp} \geq SN_{pipe}$$

For the test, it is permitted to use cut-off straight spigot and socket parts even if they do not conform to the length requirement specified in ISO 9969.

### 2.2.4 Mechanical characteristics

When tested in methods specified in the table below, using the indicated parameters, the pipe shall have the mechanical characteristics conforming to the requirements given in the table below.

The pipes shall be designated in one of the following nominal ring stiffness classes (SN):

DN ≤ 500: SN4, SN8 or SN16 DN > 500: SN2, SN4, SN8 or SN16

Characteristic	Requirements	Test parameters		Test method
Ring stiffness	≥ relevant SN	In accordance with ISO 9969		ISO 9969
Impact strength	TIR ≤ 10 %	Test temperature	(0 ± 1) °C	ISO 3127
		Conditioning medium	Water or air	
		Type of striker	d90	
		Mass of striker for <sup>a</sup> :		
		$d_{im,max} \leq 100$	0,5 kg	
		$100 < d_{im,max} \leq 125$	0,8 kg	
		$125 < d_{im,max} \leq 160$	1,0 kg	
		$160 < d_{im,max} \leq 200$	1,6 kg	
		$200 < d_{im,max} \leq 250$	2,0 kg	
		$250 < d_{im,max} \leq 315$	2,5 kg	
		$315 < d_{im,max}$	3,2 kg	
		Fall height of striker for <sup>a</sup> :		
		$d_{em,min} \leq 110$	1 600 mm	
		$d_{em,min} > 110$	2 000 mm	
Ring flexibility	In accordance with 9.1.2 at 30 % of $d_{em}$	Deflection	30 %	EN 1446
		Length of test piece	Shall incorporate at least 5 ribs/spirals <sup>b</sup>	
		Position of test piece	Mould split line, when applicable, at 0°, 45° and 90° from the upper plate	
Creep ratio	PVC-U: ≤ 2,5 at 2 year extrapolation  PP and PE: ≤ 4 at 2 year extrapolation	In accordance with ISO 9967		ISO 9967
Tensile strength of seam <sup>b</sup>	In accordance with 9.1.3	Rate of movement	15 mm/min	EN 1979
<sup>a</sup> Refer to the specified $d_{em,min}$				
<sup>b</sup> Only applicable to spirally formed pipes.				

### 2.2.5 Ring flexibility

When tested in accordance with the test methods described in the previous table, and visually inspected

without magnification

- a. There shall be no decrease of the measured force
- b. There shall be no cracking in any part of the wall structure
- c. There shall be no wall delamination except possible delamination between the outside and inside wall of double layer pipes
- d. There shall be no other types of rupture in the test piece
- e. Permanent buckling in any part of the structure of the pipe wall including depressions and craters shall not occur in any direction

### 2.2.6 Tensile strength

When tested in accordance with the test methods highlighted above, the minimum required tensile strength of the seam shall conform to the table below:

Nominal size DN/ID or DN/OD	Minimum tensile force N
$DN \leq 375$	380
$400 \leq DN \leq 560$	510
$600 \leq DN \leq 710$	760
$DN \geq 800$	1 020

The pipe should have an allowable deflection of up to 30% without any signs of cracks, or ovality during the process.

### 2.2.7 Performance requirements

When tested in accordance with the test methods below, the joints and system shall have the characteristics conforming to the requirements given in the table below

Characteristic	Requirements	Test parameters		Test method
Tightness of elastomeric ring seal joint		Temperature	(23 ± 2) °C	EN 1277:2003, Condition B
		Spigot deflection	10 %	
		Socket deflection	5 %	
	No leakage	Water pressure	5 kPa (0,05 bar)	
	No leakage	Water pressure	50 kPa (0,5 bar)	
	≤ -27 kPa (-0,27 bar)	Air pressure	-30 kPa (-0,3 bar)	
Tightness of elastomeric ring seal joint		Temperature	(23 ± 2) °C	EN 1277:2003, Condition C
		Joint deflection for: $d_e \leq 315$ mm	2°	
		315 mm < $d_e \leq 630$ mm	1,5°	
		630 mm < $d_e$	1°	
	No leakage	Water pressure	5 kPa (0,05 bar)	
	No leakage	Water pressure	50 kPa (0,5 bar)	
	≤ -27 kPa (-0,27 bar)	Air pressure	-30 kPa (-0,3 bar)	
Resistance to combined temperature cycling and external loading <sup>b</sup>	<sup>a</sup>	For $d_{im} \leq 160$ mm: In accordance with EN 1437:2002, Method A		EN 1437:2002 Method A, hot and cold water
		For $d_{im} > 160$ mm: In accordance with EN 1437:2002, Method B		EN 1437:2002 Method B, hot water
Long-term performance of TPE seals	Tube pressure: -100 years extrapolated: ≥ 150 kPa (1,5 bar)	Test temperature	(23 ± 2) °C	EN 14741
Watertightness <sup>c</sup>	No leakage	Water pressure Duration	50 kPa (0,5 bar) 1 min	EN 1053
Tensile test of welded or fused joints	No break in the joint	Minimum tensile force	In accordance with Table 15	EN 1979 <sup>d</sup>

<sup>a</sup> The following requirements apply:

- vertical deformation: ≤ 9 %
- deviation from surface evenness in bottom: ≤ 3 mm
- radius of bottom: ≥ 80 % of original
- opening of weld line: ≤ 20 % of wall thickness
- tightness at 35 kPa (0,35 bar)/15 min: no leakage allowed.

<sup>b</sup> Only for components in accordance with this part of ISO 21138 with DN/OD ≤ 335 and DN/ID ≤ 300.

<sup>c</sup> Only for fabricated fittings made from more than one piece. A sealing ring retaining component is not considered as a piece.

<sup>d</sup> This test is applicable for all pipe and fitting constructions when jointed by fusion or welding. The test pieces shall be cut longitudinally in the fusion area. The length of the test piece shall include the joint plus a length at each end sufficient to ensure a proper grip in the tensile testing machine.

## 2.2.8 Marking

Aspect	Marking
Standard Number	ISO 21138-3
Manufacturer's identification	Name or symbol
Dimensions DN/ID series	ID 200MM

Stiffness class	e.g. SN 4
Material	PE100
Production period (date or code)	e.g. 0204a
Country of Production	Kenya

### 2.2.9 Internal Diameter

INTERNAL DIAMETER (ID)	RING STIFFNESS
ID150	SN4  Or  SN8
ID200	
ID250	
ID300	
ID400	
ID500	
ID600	

### 2.2.10 Test Equipment Requirements (Mandatory)

To ensure quality of the corrugated pipes, manufacturers must have the test equipment within a quality assurance laboratory within the manufacturing premise.

Regular sampling as indicated in ISO 21138 must follow strict testing for the following tests and calibrated equipment:

1. Ring Stiffness testing machine – EN 1446 method  
This should be of adequate size for a placing the pipe sample with pipe bore facing the same direction as the machine.
2. Ring flexibility testing machine – EN 1446 method
3. Elastomeric ring joint testing machine – ISO 13259 methods
4. Melt flow index testing machine – ISO 1133
5. Oxidative Induction time testing machine
6. Carbon black content testing machine – ISO 6964 method
7. Heat reversion testing machine



# **PART 3 - CONDITIONS OF CONTRACT AND CONTRACT FORMS**

## SECTION VI - GENERAL CONDITIONS OF CONTRACT

### 1. Definitions

In the Conditions of Contract (“these Conditions”), which include Special Conditions, Part A and B, and these General Conditions, the following words and expressions shall have the meanings stated. Words indicating persons or parties include corporations and other legal entities, except where the context requires otherwise.

- a) “Contract” means the Contract Agreement entered into between the Procuring Entity and the Supplier, together with the Contract Documents referred to therein, including all attachments, appendices, and all documents incorporated by reference therein.
- b) “Contract Documents” means the documents listed in the Contract Agreement, including any amendments thereto.
- c) “Contract Price” means the price payable to the Supplier as specified in the Contract Agreement, subject to such additions and adjustments thereto or deductions therefrom, as may be made pursuant to the Contract.
- d) “Day” means calendar day.
- e) “Completion” means the fulfilment of the Related Services by the Supplier in accordance with the terms and conditions set forth in the Contract
- f) “GCC” means the General Conditions of Contract
- g) “Goods” means all of the commodities, raw material, machinery and equipment, and/or other materials that the Supplier is required to supply to the Procuring Entity under the Contract
- h) “Procuring Entity” means the Procuring Entity purchasing the Goods and Related Services, as **specified in the SCC**
- i) “Related Services” means the services incidental to the supply of the goods, such as insurance, delivery, installation, commissioning, training and initial maintenance and other such obligations of the Supplier under the Contract.
- j) “SCC” means the Special Conditions of Contract.
- k) “Subcontractor” means any person, private or government entity, or a combination of the above, to whom any part of the Goods to be supplied or execution of any part of the Related Services is subcontracted by the Supplier.
- l) “Supplier” means the person, private or government entity, or a combination of the above, whose Tender to perform the Contract has been accepted by the Procuring Entity and is named as such in the Contract Agreement.
- m) “**Base Date**” means a date 30 day prior to the submission of tenders.
- n) “**Laws**” means all national legislation, statutes, ordinances, and regulations and by-laws of any legally constituted public authority.
- o) “**Letter of Acceptance**” means the letter of formal acceptance, signed by the contractor. Procuring Entity, including any annexed memoranda comprising agreements between and signed by both Parties.
- p) “**Procuring Entity**” means the Entity named in the Special Conditions of Contract.

## **2. Interpretation**

- 2.1. If the context so requires it, singular means plural and vice versa.
- 2.2. Incoterms
  - a) Unless inconsistent with any provision of the Contract, the meaning of any trade term and the rights and obligations of parties thereunder shall be as prescribed by Incoterms **specified in the SCC**.
  - b) The terms EXW and CIP and other similar terms, when used, shall be governed by the rules prescribed in the current edition of Incoterms specified in the **SCC** and published by the International Chamber of Commerce in Paris, France.

## **3. Contract Documents**

Subject to the order of precedence set forth in the Contract Agreement, all documents forming the Contract (and all parts thereof) are intended to be correlative, complementary, and mutually explanatory. The Contract Agreement shall be read as a whole. The documents forming the Contract shall be interpreted in the following order of priority:

- a) the Contract Agreement,
- b) the Letter of Acceptance,
- c) the General Conditions of Contract
- d) Special Conditions of Contract
- e) the Form of Tender,
- f) the Specifications and Schedules of the Drawings (if any), and
- g) the Schedules of Requirements, Price Schedule and any other documents forming part of the Contract.

## **4. Fraud and Corruption**

- 3.1 The supplier shall comply with anti-corruption laws and guidelines and the prevailing sanctions, policies and procedures as set forth in the Laws of Kenya.
- 3.2 The Supplier shall disclose any commissions, gratuity or fees that may have been paid or are to be paid to agents or any other person with respect to the Tendering process or execution of the Contract. The information disclosed must include at least the name and address of the agent or other party, the amount and currency, and the purpose of the commission, gratuity or fee.

### **4.1 Entire Agreement**

- 4.3.1 The Contract constitutes the entire agreement between the Procuring Entity and the Supplier and supersedes all communications, negotiations and agreements (whether written or oral) of the parties with respect thereto made prior to the date of Contract.

### **4.2 Amendment**

No amendment or other variation of the Contract shall be valid unless it is in writing, is dated, expressly refers to the Contract, and is signed by a duly authorized representative of each party thereto.

### **4.3 Non-waiver**

- a) Subject to GCC Sub-Clause 4.5(b) below, no relaxation, forbearance, delay, or indulgence by either party in enforcing any of the terms and conditions of the Contract or the granting of time by either party to the other shall prejudice, affect, or restrict the rights of that party under the Contract, neither shall any waiver by either party of any breach of Contract operate as waiver of any subsequent or continuing breach of Contract.
- b) Any waiver of a party's rights, powers, or remedies under the Contract must be in writing,

dated, and signed by an authorized representative of the party granting such waiver, and must specify the right and the extent to which it is being waived.

#### **4.4 Severability**

If any provision or condition of the Contract is prohibited or rendered invalid or unenforceable, such prohibition, invalidity or unenforceability shall not affect the validity or enforceability of any other provisions and conditions of the Contract.

#### **5. Language**

5.1 The Contract as well as all correspondence and documents relating to the Contract exchanged by the Supplier and the Procuring Entity, shall be written in the **English Language**. Supporting documents and printed literature that are part of the Contract may be in another language provided they are accompanied by an accurate and certified translation of the relevant passages in the **English Language**, in which case, for purposes of interpretation of the Contract, the English language is translation shall govern.

5.2 The Supplier shall bear all costs of translation to the governing language and all risks of the accuracy of such translation, for documents provided by the Supplier.

#### **6. Joint Venture, Consortium or Association**

6.1 If the Supplier is a joint venture, consortium, or association, all of the parties shall be jointly and severally liable to the Procuring Entity for the fulfilment of the provisions of the Contract and shall designate one member of the joint venture, consortium, or association to act as a leader with authority to bind the joint venture, consortium, or association. The composition or the constitution of the joint venture, consortium, or association shall not be altered without the prior written consent of the Procuring Entity.

#### **7. Eligibility**

7.1 The Supplier and its Subcontractors shall have the nationality of an eligible country. A Supplier or Sub-contractor shall be deemed to have the nationality of a country if it is a citizen or constituted, incorporated, or registered, and operates in conformity with the provisions of the laws of that country.

7.2 All Goods and Related Services to be supplied under the Contract shall have their origin in Eligible Countries. For the purpose of this Clause, origin means the country where the goods have been grown, mined, cultivated, produced, manufactured, or processed; or through manufacture, processing, or assembly, another commercially recognized article results that differs substantially in its basic characteristics from its components.

7.3 The Tenderer, if a Kenyan firm, must submit with its tender a valid tax compliance certificate from the Kenya Revenue Authority.

#### **8. Notices**

8.1 Any notice given by one party to the other pursuant to the Contract shall be in writing to the address specified in the **SCC**. The term "in writing" means communicated in written form with proof of receipt.

8.2 A notice shall be effective when delivered or on the notice's effective date, whichever is later.

#### **9. Governing Law**

9.1 The Contract shall be governed by and interpreted in accordance with the laws of Kenya.

9.2 Throughout the execution of the Contract, the Supplier shall comply with the import of goods and services prohibitions in Kenya:

- a) where, as a matter of law, compliance or official regulations, Kenya prohibits commercial relations with that country or any import of goods from that country or any payments to any

- country, person, or entity in that country ; or
- b) by an act of compliance with a decision of the United Nations Security Council taken under Chapter VII of the Charter of the United Nations, Kenya prohibits any import of goods from that country or any payments to any country, person, or entity.

## **10. Settlement of Disputes**

- 101 The Procuring Entity and the Supplier shall make every effort to resolve amicably by direct negotiation any disagreement or dispute arising between them under or in connection with the Contract.
- 102 If, after thirty (30) days, the parties have failed to resolve their dispute or difference by such mutual consultation, then either the Procuring Entity or the Supplier may give notice to the other party of its intention to commence arbitration, as hereinafter provided, as to the matter in dispute, and no arbitration in respect of this matter may be commenced unless such notice is given. Any dispute or difference in respect of which a notice of intention to commence arbitration has been given in accordance with this Clause shall be finally settled by arbitration. Arbitration may be commenced prior to or after delivery of the Goods under the Contract.

### **102 Arbitration proceedings shall be conducted as follows:**

- 1021 Any claim or dispute between the Parties arising out of or in connection with the Contract not settled amicably in accordance with Sub-Clause 10.1 shall be finally settled by arbitration.
- 1022 No arbitration proceedings shall be commenced on any claim or dispute where notice of a claim or dispute has not been given by the applying party within thirty days of the occurrence or discovery of the matter or issue giving rise to the dispute.
- 1023 Notwithstanding the issue of a notice as stated above, the arbitration of such a claim or dispute shall not commence unless an attempt has in the first instance been made by the parties to settle such claim or dispute amicably with or without the assistance of third parties. Proof of such attempt shall be required.
- 1024 The Arbitrator shall, without prejudice to the generality of his powers, have powers to direct such measurements, computations, or valuations as may in his opinion be desirable in order to determine the rights of the parties and assess and award any sums which ought to have been the subject of or included in any due payments.
- 1025 Neither Party shall be limited in the proceedings before the arbitrators to the evidence, or to the reasons for the dispute given in its notice of a claim or dispute.
- 1026 Arbitration may be commenced prior to or after delivery of the goods. The obligations of the Parties shall not be altered by reason of any arbitration being conducted during the progress of the delivery of goods.
- 1027 The terms of the remuneration of each or all the members of Arbitration shall be mutually agreed upon by the Parties when agreeing the terms of appointment. Each Party shall be responsible for paying one-half of this remuneration.

### **103 Arbitration Proceedings**

- 1031 Arbitration proceedings with national suppliers will be conducted in accordance with the Arbitration Laws of Kenya. In case of any claim or dispute, such claim or dispute shall be notified in writing by either party to the other with a request to submit it to arbitration and to concur in the appointment of an Arbitrator within thirty days of the notice. The dispute shall be referred to the arbitration and final decision of a person or persons to be agreed between the parties. Failing agreement to concur in the appointment of an Arbitrator, the Arbitrator shall be appointed, on the request of the applying party, by the Chairman or Vice Chairman of any of the following professional institutions;

- i) Kenya National Chamber of Commerce
- ii) Chartered Institute of Arbitrators (Kenya Branch)
- iii) The Law Society of Kenya

1032 The institution written to first by the aggrieved party shall take precedence over all other institutions.

### **1033 Alternative Arbitration Proceedings**

Alternatively, the Parties may refer the matter to the Nairobi Centre for International Arbitration (NCIA) which offers a neutral venue for the conduct of national and international arbitration with commitment to providing institutional support to the arbitral process.

### **104 Arbitration with Foreign Suppliers**

1041 Arbitration with foreign suppliers shall be conducted in accordance with the arbitration rules of the United Nations Commission on International Trade Law (UNCITRAL); or with proceedings administered by the International Chamber of Commerce (ICC) and conducted under the ICC Rules of Arbitration; by one or more arbitrators appointed in accordance with said arbitration rules.

1042 The place of arbitration shall be a location specified in the **SCC**; and the arbitration shall be conducted in the language for communications defined in Sub-Clause 1.4 [Law and Language].

### **105 Alternative Arbitration Proceedings**

Alternatively, the Parties may refer the matter to the Nairobi Centre for International Arbitration (NCIA) which offers a neutral venue for the conduct of national and international arbitration with commitment to providing institutional support to the arbitral process.

### **106 Failure to Comply with Arbitrator's Decision**

1061 The award of such Arbitrator shall be final and binding upon the parties.

10.6.1 In the event that a Party fails to comply with a final and binding Arbitrator's decision, then the other Party may, without prejudice to any other rights it may have, refer the matter to a competent court of law.

### **10.7 Contract operations continue**

Notwithstanding any reference to arbitration herein,

- a) the parties shall continue to perform their respective obligations under the Contract unless they otherwise agree; and
- b) the Procuring Entity shall pay the Supplier any monies due the Supplier.

## **11. Inspections and Audit by the Procuring Entity**

11.1 The Supplier shall keep, and shall cause its Subcontractors to keep, accurate and systematic accounts and records in respect of the Goods in such form and details as will clearly identify relevant time, changes and costs.

11.2 Pursuant to paragraph 2.2 of Instruction to Tenderers, the Supplier shall permit and shall cause its subcontractors to permit, the Procuring Entity and/or persons appointed by the Procuring Entity or by other statutory bodies of the Government to inspect the Site and/or the accounts and records relating to the procurement process, selection and/or contract execution, and to have such accounts and records audited by auditors appointed by the Procuring Entity. The Supplier's and its Subcontractors' attention is drawn to Sub- Clause 3.1 which provides, inter alia, that acts intended to materially impede the exercise of the Procuring Entity's inspection and audit rights constitute a prohibited practice subject to contract termination, as well as to a determination of ineligibility.

## **12. Scope of Supply**

12.1 The Goods and Related Services to be supplied shall be as specified in the Schedule of Requirements.

### **13. Delivery and Documents**

13.1 Subject to GCC Sub-Clause 33.1, the delivery of the Goods and completion of the Related Services shall be in accordance with the List of Goods and Delivery Schedule specified in the Supply Requirements. The details of shipping and other documents to be furnished by the Supplier are specified in the SCC.

### **14. Supplier's Responsibilities**

14.1 The Supplier shall supply all the Goods and Related Services included in the Scope of Supply in accordance with GCC Clause 12, and the Delivery and Completion Schedule, as per GCC Clause 13.

### **15. Contract Price**

15.1 Prices charged by the Supplier for the Goods supplied and the Related Services performed under the Contract shall not vary from the prices quoted by the Supplier in its Tender, with the exception of any price adjustments authorized in the SCC.

15.2 Where the contract price is different from the corrected tender price, in order to ensure the supplier is not paid less or more relative to the contract price (*which would be the tender price*), any partial payment valuation based on rates in the schedule of prices in the Tender, will be adjusted by a plus or minus percentage. The percentage already worked out during tender evaluation is worked out as follows:  $(\text{corrected tender price} - \text{tender price}) / \text{tender price} \times 100$ .

### **16. Terms of Payment**

16.1 The Supplier shall request for payment by submitting invoice(s), delivery note(s) and any other relevant documents as specified in the SCC to the Procuring Entity.

16.2 Payments shall be made promptly by the Procuring Entity, but not later than thirty (30) days after submission of an invoice by the Supplier, and after the Procuring Entity has accepted it.

16.3 Where a Procuring Entity rejects Goods and Related Services, in part or wholly, the procuring Entity shall promptly inform the Supplier to collect, replace or rectify as appropriate and give reasons for rejection. The Supplier shall submit a fresh invoice, delivery note and any other relevant documents as specified in the SCC.

16.4 The currencies in which payments shall be made to the Supplier under this Contract shall be those in which the Tender price is expressed.

16.5 In the event that the Procuring Entity fails to pay the Supplier any payment by its due date or within the period set forth in the SCC, the Procuring Entity may pay to the Supplier interest on the amount of such delayed payment at the rate shown in the SCC, for the period of delay until payment has been made in full, whether before or after judgment or arbitrage award.

### **17. Taxes and Duties**

17.1 The Supplier shall be entirely responsible for all taxes, duties, license fees, and other such levies incurred to deliver the Goods and Related Services to the Procuring Entity at the final delivery point

17.3 If any tax exemptions, reductions, allowances or privileges may be available to the Supplier in Kenya, the Supplier shall inform the Procuring Entity and the Procuring Entity shall use its best efforts to enable the Supplier to benefit from any such tax savings to the maximum allowable extent.

### **18. Performance Security**

- 181 If required as specified in the **SCC**, the Supplier shall, within twenty-eight (28) days of the notification of contract award, provide a performance security for the performance of the Contract in the amount specified in the **SCC**.
- 182 The proceeds of the Performance Security shall be payable to the Procuring Entity as compensation for any loss resulting from the Supplier's failure to complete its obligations under the Contract.
- 183 As specified in **the SCC**, the Performance Security, if required, shall be denominated in the currency(ies) of the Contract, or in a freely convertible currency acceptable to the Procuring Entity; and shall be in one of the formats stipulated by the Procuring Entity in **the SCC**, or in another format acceptable to the Procuring Entity.
- 184 The Performance Security shall be discharged by the Procuring Entity and returned to the Supplier not later than thirty (30) days following the date of Completion of the Supplier's performance obligations under the Contract, including any warranty obligations, unless specified otherwise in the **SCC**.

## 19. Copyright

- 19.1 The copyright in all drawings, documents, and other materials containing data and information furnished to the Procuring Entity by the Supplier herein shall remain vested in the Supplier, or, if they are furnished to the Procuring Entity directly or through the Supplier by any third party, including suppliers of materials, the copyright in such materials shall remain vested in such third party.

## 20. Confidential Information

- 20.1 The Procuring Entity and the Supplier shall keep confidential and shall not, without the written consent of the other party hereto, divulge to any third party any documents, data, or other information furnished directly or indirectly by the other party hereto in connection with the Contract, whether such information has been furnished prior to, during or following completion or termination of the Contract. Notwithstanding the above, the Supplier may furnish to its Sub-Supplier such documents, data, and other information it receives from the Procuring Entity to the extent required for the Sub Supplier to perform its work under the Contract, in which event the Supplier shall obtain from such Sub Supplier undertaking of confidentiality similar to that imposed on the Supplier under GCC Clause 20.
- 20.2 The Procuring Entity shall not use such documents, data, and other information received from the Supplier for any purposes unrelated to the contract. Similarly, the Supplier shall not use such documents, data, and other information received from the Procuring Entity for any purpose other than the performance of the Contract.
- 20.3 The obligation of a party under GCC Sub-Clauses 20.1 and 20.2 above, however, shall not apply to information that:
- a) the Procuring Entity or Supplier need to share with other arms of Government or other bodies participating in the financing of the Contract; such parties shall be disclosed in **the SCC**;
  - b) now or hereafter enters the public domain through no fault of that party;
  - c) can be proven to have been possessed by that party at the time of disclosure and which was not previously obtained, directly or indirectly, from the other party; or
  - d) otherwise lawfully becomes available to that party from a third party that has no obligation of confidentiality.
- 20.4 The above provisions of GCC Clause 20 shall not in any way modify any undertaking of confidentiality given by either of the parties hereto prior to the date of the Contract in respect of the Supply or any part thereof.
- 20.5 The provisions of GCC Clause 20 shall survive completion or termination, for whatever reason, of



the Contract.

## **21. Subcontracting**

21.1 The Supplier shall notify the Procuring Entity in writing of all subcontracts awarded under the Contract if not already specified in the Tender. Such notification, in the original Tender or later shall not relieve the Supplier from any of its obligations, duties, responsibilities, or liability under the Contract.

21.2 Subcontracts shall comply with the provisions of GCC Clauses 3 and 7.

## **22. Specifications and Standards**

22.1 Technical Specifications and Drawings

- a) The Goods and Related Services supplied under this Contract shall conform to the technical specifications and standards mentioned in Section VI, Schedule of Requirements and, when no applicable standard is mentioned, the standard shall be equivalent or superior to the official standards whose application is appropriate to the Goods' country of origin.
- b) The Supplier shall be entitled to disclaim responsibility for any design, data, drawing, specification or other document, or any modification thereof provided or designed by or on behalf of the Procuring Entity, by giving a notice of such disclaimer to the Procuring Entity.
- c) Wherever references are made in the Contract to codes and standards in accordance with which it shall be executed, the edition or the revised version of such codes and standards shall be those specified in the Schedule of Requirements. During Contract execution, any changes in any such codes and standards shall be applied only after approval by the Procuring Entity and shall be treated in accordance with GCC Clause 33.

## **23. Packing and Documents**

23.1 The Supplier shall provide such packing of the Goods as is required to prevent their damage or deterioration during transit to their final destination, as indicated in the Contract. During transit, the packing shall be sufficient to withstand, without limitation, rough handling and exposure to extreme temperatures, salt and precipitation, and open storage. Packing case size and weights shall take into consideration, where appropriate, the remoteness of the goods' final destination and the absence of heavy handling facilities at all points in transit.

23.2 The packing, marking, and documentation within and outside the packages shall comply strictly with such special requirements as shall be expressly provided for in the Contract, including additional requirements, if any, specified **in the SCC**, and in any other instructions ordered by the Procuring Entity.

## **24. Insurance**

24.1 Unless otherwise specified in the **SCC**, the Goods supplied under the Contract shall be fully insured—in a freely convertible currency from an eligible country—against loss or damage incidental to manufacture or acquisition, transportation, storage, and delivery, in accordance with the applicable Incoterms or in the manner specified in the **SCC**.

## **25. Transportation and Incidental Services**

25.1 Unless otherwise specified in the **SCC**, responsibility for arranging transportation of the Goods shall be in accordance with the specified Incoterms.

25.2 The Supplier may be required to provide any or all of the following services, including additional services, if any, specified **in SCC**:

- a) performance or supervision of on-site assembly and/or start-up of the supplied Goods;
- b) furnishing of tools required for assembly and/or maintenance of the supplied Goods;

- c) furnishing of a detailed operations and maintenance manual for each appropriate unit of the supplied Goods;
- d) performance or supervision or maintenance and/or repair of the supplied Goods, for a period of time agreed by the parties, provided that this service shall not relieve the Supplier of any warranty obligations under this Contract; and
- e) training of the Procuring Entity's personnel, at the Supplier's plant and/or on-site, in assembly, start-up, operation, maintenance, and/or repair of the supplied Goods.

25.3 Prices charged by the Supplier for incidental services, if not included in the Contract Price for the Goods, shall be agreed upon in advance by the parties and shall not exceed the prevailing rates charged to other parties by the Supplier for similar services

## **26. Inspections and Tests**

26.1 The Supplier shall at its own expense and at no cost to the Procuring Entity carry out all such tests and/or inspections of the Goods and Related Services as are specified in the SCC.

26.2 The inspections and tests may be conducted on the premises of the Supplier or its Subcontractor, at point of delivery, and/or at the Goods' final destination, or in another place in Kenya as specified in the SCC. Subject to GCC Sub-Clause 26.3, if conducted on the premises of the Supplier or its Subcontractor, all reasonable facilities and assistance, including access to drawings and production data, shall be furnished to the inspectors at no charge to the Procuring Entity.

26.3 The Procuring Entity or its designated representative shall be entitled to attend the tests and/or inspections referred to in GCC Sub-Clause 26.2, provided that the Procuring Entity bear all of its own costs and expenses incurred in connection with such attendance including, but not limited to, all travelling and board and lodging expenses.

26.4 Whenever the Supplier is ready to carry out any such test and inspection, it shall give a reasonable advance notice, including the place and time, to the Procuring Entity. The Supplier shall obtain from any relevant third party or manufacturer any necessary permission or consent to enable the Procuring Entity or its designated representative to attend the test and/or inspection.

26.5 The Procuring Entity may require the Supplier to carry out any test and/or inspection not required by the Contract but deemed necessary to verify that the characteristics and performance of the Goods comply with the technical specifications codes and standards under the Contract, provided that the Supplier's reasonable costs and expenses incurred in the carrying out of such test and/or inspection shall be added to the Contract Price. Further, if such test and/or inspection impedes the progress of manufacturing and/or the Supplier's performance of its other obligations under the Contract, due allowance will be made in respect of the Delivery Dates and Completion Dates and the other obligations so affected.

26.6 The Supplier shall provide the Procuring Entity with a report of the results of any such test and/or inspection.

26.7 The Procuring Entity may reject any Goods or any part thereof that fail to pass any test and/or inspection or do not conform to the specifications. The Supplier shall either rectify or replace such rejected Goods or parts thereof or make alterations necessary to meet the specifications at no cost to the Procuring Entity, and shall repeat the test and/or inspection, at no cost to the Procuring Entity, upon giving a notice pursuant to GCC Sub- Clause 26.4.

26.8 The Supplier agrees that neither the execution of a test and/or inspection of the Goods or any part thereof, nor the attendance by the Procuring Entity or its representative, nor the issue of any report pursuant to GCC Sub-Clause 26.6, shall release the Supplier from any warranties or other obligations under the Contract.

## **27. Liquidated Damages**

27.1 Except as provided under GCC Clause 32, if the Supplier fails to deliver any or all of the Goods by the Date(s) of delivery or perform the Related Services within the period specified in the Contract, the Procuring Entity may without prejudice to all its other remedies under the Contract, deduct from the Contract Price, as liquidated damages, a sum equivalent to the percentage specified in the SCC of the delivered price of the delayed Goods or unperformed Services for each week or part thereof of delay until actual delivery or performance, up to a maximum deduction of the percentage specified in those SCC. Once the maximum is reached, the Procuring Entity may terminate the Contract pursuant to GCC Clause 35.

## **28. Warranty**

28.1 The Supplier warrants that all the Goods are new, unused, and of the most recent or current models, and that they incorporate all recent improvements in design and materials, unless provided otherwise in the Contract.

28.2 Subject to GCC Sub-Clause 22.1(b), the Supplier further warrants that the Goods shall be free from defects arising from any act or omission of the Supplier or arising from design, materials, and workmanship, under normal use in the conditions prevailing in the country of final destination.

28.3 Unless otherwise specified in the SCC, the warranty shall remain valid for twelve (12) months after the Goods, or any portion thereof as the case may be, have been delivered to and accepted at the final destination indicated in the SCC, or for eighteen (18) months after the date of shipment from the port or place of loading in the country of origin, whichever period concludes earlier.

28.4 The Procuring Entity shall give notice to the Supplier stating the nature of any such defects together with all available evidence thereof, promptly following the discovery thereof. The Procuring Entity shall afford all reasonable opportunity for the Supplier to inspect such defects.

28.5 Upon receipt of such notice, the Supplier shall, within the period specified in the SCC, expeditiously repair or replace the defective Goods or parts thereof, at no cost to the Procuring Entity.

28.6 If having been notified, the Supplier fails to remedy the defect within the period specified in the SCC, the Procuring Entity may proceed to take within a reasonable period such remedial action as may be necessary, at the Supplier's risk and expense and without prejudice to any other rights which the Procuring Entity may have against the Supplier under the Contract.

## **29. Patent Indemnity**

29.1 The Supplier shall, subject to the Procuring Entity's compliance with GCC Sub-Clause 29.2, indemnify and hold harmless the Procuring Entity and its employees and officers from and against any and all suits, actions or administrative proceedings, claims, demands, losses, damages, costs, and expenses of any nature, including attorney's fees and expenses, which the Procuring Entity may suffer as a result of any infringement or alleged infringement of any patent, utility model, registered design, trademark, copyright, or other intellectual property right registered or otherwise existing at the date of the Contract by reason of:

- a) the installation of the Goods by the Supplier or the use of the Goods in the country where the Site is located; and
- b) the sale in any country of the products produced by the Goods.

Such indemnity shall not cover any use of the Goods or any part thereof other than for the purpose indicated by or to be reasonably inferred from the Contract, neither any infringement resulting from the use of the Goods or any part thereof, or any products produced thereby in association or combination with any other equipment, plant, or materials not supplied by the Supplier, pursuant to the Contract.

29.2 If any proceedings are brought or any claim is made against the Procuring Entity arising out of the matters referred to in GCC Sub-Clause 29.1, the Procuring Entity shall promptly give the Supplier a notice thereof, and the Supplier may at its own expense and in the Procuring Entity's

name conduct such proceedings or claim and any negotiations for the settlement of any such proceedings or claim.

293 If the Supplier fails to notify the Procuring Entity within twenty-eight (28) days after receipt of such notice that it intends to conduct any such proceedings or claim, then the Procuring Entity shall be free to conduct the same on its own behalf.

294 The Procuring Entity shall, at the Supplier's request, afford all available assistance to the Supplier in conducting such proceedings or claim, and shall be reimbursed by the Supplier for all reasonable expenses incurred in so doing.

295 The Procuring Entity shall indemnify and hold harmless the Supplier and its employees, officers, and Subcontractors from and against any and all suits, actions or administrative proceedings, claims, demands, losses, damages, costs, and expenses of any nature, including attorney's fees and expenses, which the Supplier may suffer as a result of any infringement or alleged infringement of any patent, utility model, registered design, trademark, copyright, or other intellectual property right registered or otherwise existing at the date of the Contract arising out of or in connection with any design, data, drawing, specification, or other documents or materials provided or designed by or on behalf of the Procuring Entity.

### **30. Limitation of Liability**

30.1 Except in cases of criminal negligence or willful misconduct,

a) the Supplier shall not be liable to the Procuring Entity, whether in contract, tort, or otherwise, for any indirect or consequential loss or damage, loss of use, loss of production, or loss of profits or interest costs, provided that this exclusion shall not apply to any obligation of the Supplier to pay liquidated damages to the Procuring Entity, and

b) the aggregate liability of the Supplier to the Procuring Entity, whether under the Contract, in tort or otherwise, shall not exceed the total Contract Price, provided that this limitation shall not apply to the cost of repairing or replacing defective equipment, or to any obligation of the supplier to indemnify the Procuring Entity with respect to patent infringement.

### **31. Change in Laws and Regulations**

31.1 Unless otherwise specified in the Contract, if after the date of 30 days prior to date of Tender submission, any law, regulation, ordinance, order or bylaw having the force of law is enacted, promulgated, abrogated, or changed in Kenya (which shall be deemed to include any change in interpretation or application by the competent authorities) that subsequently affects the Delivery Date and/or the Contract Price, then such Delivery Date and/or Contract Price shall be correspondingly increased or decreased, to the extent that the Supplier has thereby been affected in the performance of any of its obligations under the Contract. Notwithstanding the foregoing, such additional or reduced cost shall not be separately paid or credited if the same has already been accounted for in the price adjustment provisions where applicable, in accordance with GCC Clause 15.

### **32. Force Majeure**

32.1 The Supplier shall not be liable for forfeiture of its Performance Security, liquidated damages, or termination for default if and to the extent that its delay in performance or other failure to perform its obligations under the Contract is the result of an event of Force Majeure.

32.2 For purposes of this Clause, "Force Majeure" means an event or situation beyond the control of the Supplier that is not foreseeable, is unavoidable, and its origin is not due to negligence or lack of care on the part of the Supplier. Such events may include, but not be limited to, acts of the Procuring Entity in its sovereign capacity, wars or revolutions, fires, floods, epidemics, quarantine restrictions, and freight embargoes.

32.3 If a Force Majeure situation arises, the Supplier shall promptly notify the Procuring Entity in

writing of such condition and the cause thereof. Unless otherwise directed by the Procuring Entity in writing, the Supplier shall continue to perform its obligations under the Contract as far as is reasonably practical, and shall seek all reasonable alternative means for performance not prevented by the Force Majeure event.

### 33. Change Orders and Contract Amendments

- 33.1 The Procuring Entity may at any time order the Supplier through notice in accordance GCC Clause 8, to make changes within the general scope of the Contract in any one or more of the following:
- a) drawings, designs, or specifications, where Goods to be furnished under the Contract are to be specifically manufactured for the Procuring Entity;
  - b) the method of shipment or packing;
  - c) the place of delivery; and
  - d) the Related Services to be provided by the Supplier.
- 33.2 If any such change causes an increase or decrease in the cost of, or the time required for, the Supplier's performance of any provisions under the Contract, an equitable adjustment shall be made in the Contract Price or in the Delivery/Completion Schedule, or both, and the Contract shall accordingly be amended. Any claims by the Supplier for adjustment under this Clause must be asserted within twenty-eight (28) days from the date of the Supplier's receipt of the Procuring Entity's change order.
- 33.3 Prices to be charged by the Supplier for any Related Services that might be needed but which were not included in the Contract shall be agreed upon in advance by the parties and shall not exceed the prevailing rates charged to other parties by the Supplier for similar services.
- 33.4 **Value Engineering:** The Supplier may prepare, at its own cost, a value engineering proposal at any time during the performance of the contract. The value engineering proposal shall, at a minimum, include the following:
- a) the proposed change(s), and a description of the difference to the existing contract requirements;
  - b) a full cost/benefit analysis of the proposed change(s) including a description and estimate of costs (including life cycle costs) the Procuring Entity may incur in implementing the value engineering proposal; and
  - c) a description of any effect(s) of the change on performance/functionality.
- 33.5 The Procuring Entity may accept the value engineering proposal if the proposal demonstrates benefits that:
- a) accelerates the delivery period; or
  - b) reduces the Contract Price or the life cycle costs to the Procuring Entity; or
  - c) improves the quality, efficiency or sustainability of the Goods; or
  - d) yields any other benefits to the Procuring Entity, without compromising the necessary functions of the Facilities.
- 33.6 If the value engineering proposal is approved by the Procuring Entity and results in:
- a) a reduction of the Contract Price; the amount to be paid to the Supplier shall be the percentage specified **in the SCC** of the reduction in the Contract Price; or
  - b) an increase in the Contract Price; but results in a reduction in life cycle costs due to any benefit described in  
(a) to (d) above, the amount to be paid to the Supplier shall be the full increase in the Contract Price.
- 33.7 Subject to the above, no variation in or modification of the terms of the Contract shall be made except by written amendment signed by the parties.

### **34. Extensions of Time**

- 34.1 If at any time during performance of the Contract, the Supplier or its subcontractors should encounter conditions impeding timely delivery of the Goods or completion of Related Services pursuant to GCC Clause 13, the Supplier shall promptly notify the Procuring Entity in writing of the delay, its likely duration, and its cause. As soon as practicable after receipt of the Supplier's notice, the Procuring Entity shall evaluate the situation and may at its discretion extend the Supplier's time for performance, in which case the extension shall be ratified by the parties by amendment of the Contract.
- 34.2 Except in case of Force Majeure, as provided under GCC Clause 32, a delay by the Supplier in the performance of its Delivery and Completion obligations shall render the Supplier liable to the imposition of liquidated damages pursuant to GCC Clause 26, unless an extension of time is agreed upon, pursuant to GCC Sub-Clause 34.1.

### **35. Termination**

#### **35.1 Termination for Default**

- a) The Procuring Entity, without prejudice to any other remedy for breach of Contract, by written notice of default sent to the Supplier, may terminate the Contract in whole or in part:
- i) if the Supplier fails to deliver any or all of the Goods within the period specified in the Contract, or within any extension thereof granted by the Procuring Entity pursuant to GCC Clause 34;
  - ii) if the Supplier fails to perform any other obligation under the Contract; or
  - iii) if the Supplier, in the judgment of the Procuring Entity has engaged in Fraud and Corruption, as defined in paragraph 2.2 a of the Appendix to the GCC, in competing for or in executing the Contract.
- b) In the event the Procuring Entity terminates the Contract in whole or in part, pursuant to GCC Clause 35.1(a), the Procuring Entity may procure, upon such terms and in such manner as it deems appropriate, Goods or Related Services similar to those undelivered or not performed, and the Supplier shall be liable to the Procuring Entity for any additional costs for such similar Goods or Related Services. However, the Supplier shall continue performance of the Contract to the extent not terminated.

#### **35.2 Termination for Insolvency.**

The Procuring Entity may at any time terminate the Contract by giving notice to the Supplier if the Supplier becomes bankrupt or otherwise insolvent. In such event, termination will be without compensation to the Supplier, provided that such termination will not prejudice or affect any right of action or remedy that has accrued or will accrue thereafter to the Procuring Entity

#### **35.2 Termination for Convenience.**

- a) The Procuring Entity, by notice sent to the Supplier, may terminate the Contract, in whole or in part, at any time for its convenience. The notice of termination shall specify that termination is for the Procuring Entity's convenience, the extent to which performance of the Supplier under the Contract is terminated, and the date upon which such termination becomes effective.
- b) The Goods that are complete and ready for shipment within twenty-eight (28) days after the Supplier's receipt of notice of termination shall be accepted by the Procuring Entity at the Contract terms and prices. For the remaining Goods, the Procuring Entity may elect:
- i) to have any portion completed and delivered at the Contract terms and prices; and/or
  - ii) to cancel the remainder and pay to the Supplier an agreed amount for partially completed Goods and Related Services and for materials and parts previously procured by the Supplier.

### **36. Assignment**

- 36.1 Neither the Procuring Entity nor the Supplier shall assign, in whole or in part, their obligations under this Contract, except with prior written consent of the other party.

### **37. Export Restriction**

- 37.1 Notwithstanding any obligation under the Contract to complete all export formalities, any export restrictions attributable to the Procuring Entity, to Kenya, or to the use of the products/goods, systems or services to be supplied, which arise from trade regulations from a country supplying those products/goods, systems or services, and which substantially impede the Supplier from meeting its obligations under the Contract, shall release the Supplier from the obligation to provide deliveries or services, always provided, however, that the Supplier can demonstrate to the satisfaction of the Procuring Entity that it has completed all formalities in a timely manner, including applying for permits, authorizations and licenses necessary for the export of the products/goods, systems or services under the terms of the Contract. Termination of the Contract on this basis shall be for the Procuring Entity's convenience pursuant to Sub-Clause 35.3.

## SECTION VII - SPECIAL CONDITIONS OF CONTRACT

The following Special Conditions of Contract (SCC) shall supplement and/or amend the General Conditions of Contract (GCC). Whenever there is a conflict, the provisions herein shall prevail over those in the GCC.

## SECTION VII - SPECIAL CONDITIONS OF CONTRACT

The following Special Conditions of Contract (SCC) shall supplement and / or amend the General Conditions of Contract (GCC). Whenever there is a conflict, the provisions herein shall prevail over those in the GCC.

Number of GC Clause	Amendments of, and Supplements to, Clauses in the General Conditions of Contract
<b>GCC 1.1(h)</b>	The Procuring Entity is: Mathira Water and Sanitation Company (MAWASCO)
<b>GCC 4.2 (a)</b>	The meaning of the trade terms shall be as prescribed by Incoterms. If the meaning of any trade term and the rights and obligations of the parties thereunder shall not be as prescribed by Incoterms, they shall be as prescribed by: <i>N/A</i>
<b>GCC 4.2 (b)</b>	The version edition of Incoterms shall be <i>INCOTERMS 2020</i>
<b>GCC 8.1</b>	For <b>notices</b> , the Procuring Entity's address shall be: <b>The Managing Director,</b> <b>Mathira Water and Sanitation Company,</b> <b>Off Gaikuyu-Gitunduti Road,</b> <b>P.O Box 1981- 10101 Karatina.</b> <b>Tel No. 0202659069</b> Electronic mail address: <i>info@mawasco.co.ke</i>
<b>GCC 10.4.2</b>	The place of arbitration shall be as agreed by both parties
<b>GCC 13.1</b>	Details of Shipping and other Documents to be furnished by the Supplier are <i>N/A</i> The above documents shall be received by the Procuring Entity before arrival of the Goods and, if not received, the Supplier will be responsible for any consequent expenses. <i>N/A</i>
<b>GCC 15.1</b>	The prices charged for the Goods supplied and the related Services performed <i>shall not</i> be adjustable and shall include all government taxes. If prices are adjustable, the following method shall be used to calculate the price adjustment <i>N/A</i>
<b>GCC 16.1</b>	<b>C. Payment for Goods and Services supplied from within Kenya:</b>  Payment for Goods and Services supplied from within Kenya shall be made in in Kenyan shillings inclusive of all government taxes.  Payment Shall be made within 90 days upon completion of delivery, invoicing and inspection and acceptance certificate of the goods or at any other mutually agreed time
<b>GCC 16.5</b>	The payment-delay period after which the Procuring Entity shall pay interest to the supplier shall be ( <i>NONE</i> ) days.  The interest rate that shall be applied is <i>N/A</i>
<b>GCC 18.1</b>	A Performance Security <i>shall not be required</i>
<b>GCC 18.3</b>	If required, the Performance Security shall be in the form of: <i>N/A</i> If required, the Performance security shall be denominated in <i>N/A</i>
<b>GCC 18.4</b>	Discharge of the Performance Security shall take place <i>N/A</i>
<b>GCC 23.2</b>	The packing, marking and documentation within and outside the packages shall be: <i>As indicated in the technical specifications</i>
<b>GCC 24.1</b>	The insurance coverage shall be as specified in the Incoterms.
<b>GCC 25.1</b>	Responsibility for transportation of the Goods shall be as specified in the Incoterms.



	If not in accordance with Incoterms, responsibility for transportations shall be as follows: <i>The Supplier is required under the framework Contract to transport the Goods to a specified place of final destination within Kenya, defined as the Project Site, transport to such place of destination in Kenya, including insurance and storage, as shall be specified in the Contract, shall be arranged by the Supplier, and related costs shall be included in the Contract Price”; or any other agreed upon trade .</i>
<b>GCC 25.2</b>	Incidental services to be provided are: <i>The price quoted in the Tender price or agreed with the selected Supplier shall be included in the framework Contract Price.</i>
<b>GCC 26.1</b>	<i>The inspections and tests shall be;</i> <ul style="list-style-type: none"> <li><i>i) The Supplier shall demonstrate conformity to Kenya Standards or approved equivalents by attaching evidence of Test report or Certificate from</i></li> <li><i>ii) Required certificates</i></li> <li><i>iii) Manufacturer’s authorization</i></li> <li><i>iv) The Pipes must have been approved under the latest ISO and Kenyan standards attach Certificate of inspection from KEBS</i></li> </ul>
<b>GCC 26.2</b>	The Inspections and tests shall be conducted at: <i>MAWASCO and Accredited test Centers</i>
<b>GCC 27.1</b>	The liquidated damage shall be: 2 % per week
<b>GCC 27.1</b>	The maximum amount of liquidated damages shall be: 5 %
<b>GCC 28.3</b>	The period of validity of the Warranty shall be: 365 days For purposes of the Warranty, the place(s) of final destination(s) shall be: <i>MAWASCO -Stores</i>
<b>GCC 28.5, GCC 28.6</b>	The period for repair or replacement shall be: <i>7 days, or as mutually agreed between the parties</i>
<b>GCC 33.6</b>	If the value engineering proposal is approved by the Procuring Entity the amount to be paid to the Supplier shall be <u>  N/A  </u> % (insert appropriate percentage).

## SECTION VIII - CONTRACT FORMS

### FORM No. 1: NOTIFICATION OF INTENTION TO AWARD

This Notification of Intention to Award shall be sent to each Tenderer that submitted a Tender. Send this Notification to the Tenderer's Authorized Representative named in the Tender Information Form in the format below.

-----

#### **FORMAT**

1. For the attention of Tenderer's Authorized Representative

I) Name: \_\_\_\_\_ [insert Authorized Representative's name]

ii) Address: \_\_\_\_\_ [insert Authorized Representative's Address]

iii) Telephone: \_\_\_\_\_ [insert Authorized Representative's telephone/fax numbers]

iv) Email Address: \_\_\_\_\_ [insert Authorized Representative's email address]

*[IMPORTANT: insert the date that this Notification is transmitted to Tenderers. The Notification must be sent to all Tenderers simultaneously. This means on the same date and as close to the same time as possible.]*

2. Date of transmission: \_\_\_\_\_ [email] on [date] \_\_\_\_\_ (local time)

This Notification is sent by \_\_\_\_\_ (Name and designation) \_\_\_\_\_

3. Notification of Intention to Award

I) Employer: \_\_\_\_\_ [insert the name of the Employer]

ii) Project: \_\_\_\_\_ [insert name of project]

iii) Contract title: \_\_\_\_\_ [insert the name of the contract]

iv) Country: \_\_\_\_\_ [insert country where ITT is issued]

v) ITT No: \_\_\_\_\_ [insert ITT reference number from Procurement Plan]

This Notification of Intention to Award (Notification) notifies you of our decision to award the above contract. The transmission of this Notification begins the Standstill Period. During the Standstill Period, you may:

4. Request a debriefing in relation to the evaluation of your tender

Submit a Procurement-related Complaint in relation to the decision to award the contract.

a) The successful tenderer

i) Name of successful Tender \_\_\_\_\_

ii) Address of the successful Tender \_\_\_\_\_

iii) Contract price of the successful Tender Kenya Shillings \_\_\_\_\_ (in words)

b) Other Tenderers

Names of all Tenderers that submitted a Tender. If the Tender's price was evaluated include the evaluated price as well as the Tender price as read out. For Tenders not evaluated, give one main reason the Tender was unsuccessful.

S/No.	Name of Tender	Tender Price as read out	Tender's evaluated price (Note a)	One Reason Why Not Evaluated
1				
2				
3				
4				
5				

*(Note a) State NE if not evaluated*

5. How to request a debriefing

- a) DEADLINE: The deadline to request a debriefing expires at midnight on [insert date] (local time).
- b) You may request a debriefing in relation to the results of the evaluation of your Tender. If you decide to request a debriefing your written request must be made within three (5) Business Days of receipt of this Notification of Intention to Award.
- c) Provide the contract name, reference number, name of the Tenderer, contact details; and address the request for debriefing as follows:
  - i) Attention: \_\_\_\_\_ [insert full name of person, if applicable]
  - ii) Title/position: \_\_\_\_\_ [insert title/position]
  - ii) Agency: \_\_\_\_\_ [insert name of Employer]
  - iii) Email address: \_\_\_\_\_ [insert email address]
- d) If your request for a debriefing is received within the 3 Days deadline, we will provide the debriefing within five (3) Business Days of receipt of your request. If we are unable to provide the debriefing within this period, the Standstill Period shall be extended by five (3) Days after the date that the debriefing is provided. If this happens, we will notify you and confirm the date that the extended Standstill Period will end.
- e) The debriefing may be in writing, by phone, video conference call or in person. We shall promptly advise you in writing how the debriefing will take place and confirm the date and time.
- f) If the deadline to request a debriefing has expired, you may still request a debriefing. In this case, we will provide the debriefing as soon as practicable, and normally no later than fifteen (15) Days from the date of publication of the Contract Award Notice.

6. How to make a complaint

- a) Period: Procurement-related Complaint challenging the decision to award shall be submitted by midnight, [insert date] (local time).
- b) Provide the contract name, reference number, name of the Tenderer, contact details; and address the Procurement-related Complaint as follows:
  - i) Attention: \_\_\_\_\_ [insert full name of person, if applicable]
  - ii) Title/position: \_\_\_\_\_ [insert title/position]

- iii) Agency: \_\_\_\_\_ [insert name of Employer]
- iv) Email address: \_\_\_\_\_ [insert email address]
- c) At this point in the procurement process, you may submit a Procurement-related Complaint challenging the decision to award the contract. You do not need to have requested, or received, a debriefing before making this complaint. Your complaint must be submitted within the Standstill Period and received by us before the Standstill Period ends.
- d) Further information: For more information refer to the Public Procurement and Disposals Act 2015 and its Regulations available from the Website [www.ppra.go.ke](http://www.ppra.go.ke) or email [complaints@ppra.go.ke](mailto:complaints@ppra.go.ke).
- e) There are four essential requirements when preparing and submitting your complaint;
  - i) You must be an ‘interested party’. In this case, that means a Tenderer who submitted a Tender in this tendering process, and is the recipient of a Notification of Intention to Award.
  - ii) The complaint can only challenge the decision to award the contract.
  - iii) You must submit the complaint within the period stated above.
  - iv) You must include, in your complaint, all of the information required to support your complaint.

**7. Standstill Period**

- i) DEADLINE: The Standstill Period is due to end at midnight on [insert date] (local time).
- ii) The Standstill Period lasts ten (14) Days after the date of transmission of this Notification of Intention to Award.
- iii) The Standstill Period may be extended as stated in paragraph Section 5 (d) above.

If you have any questions regarding this Notification please do not hesitate to contact us.

On behalf of the Employer:

**Signature:** \_\_\_\_\_

**Name:** \_\_\_\_\_

**Title/position:** \_\_\_\_\_

**Telephone:** \_\_\_\_\_

**Email:** \_\_\_\_\_

**FORM NO. 2 - REQUEST FOR REVIEW**

**FORM FOR REVIEW(r.203(1))**

**PUBLIC PROCUREMENT ADMINISTRATIVE REVIEW BOARD**

**APPLICATION NO.....OF.....20.....**

**BETWEEN**

.....**APPLICANT**

**AND**

.....**RESPONDENT (Procuring Entity)**

Request for review of the decision of the..... (Name of the Procuring Entity of .....dated the...day of .....20.....in the matter of Tender No.....of .....20..... for .....(Tender description).

**REQUEST FOR REVIEW**

I/We.....,the above named Applicant(s), of address: Physical address.....P. O. Box No..... Tel. No.....Email ....., hereby request the Public Procurement Administrative Review Board to review the whole/part of the above mentioned decision on the following grounds , namely:

- 1.
- 2.

By this memorandum, the Applicant requests the Board for an order/orders that:

- 1.
- 2.

SIGNED .....(Applicant) Dated on.....day of ...../...20.....

---

FOR OFFICIAL USE ONLY Lodged with the Secretary Public Procurement Administrative Review Board on.....day of .....20.....

**SIGNED**

**Board Secretary**

**FORM NO. 3 LETTER OF AWARD**

*[Use letter head paper of the Procuring Entity]*

\_\_\_\_\_ *[Date]*

To: \_\_\_\_\_ *[name and address of the Supplier]*

Subject: \_\_\_\_\_ *Notification of Award Contract No. . . . . .*

This is to notify you that your Tender dated \_\_\_\_\_ *[insert date]* for execution of the \_\_\_\_\_ *[insert name of the contract and identification number, as given in the SCC]* for the Accepted Contract Amount of \_\_\_\_\_ *[insert amount in numbers and words and name of currency]*, as corrected and modified in accordance with the Instructions to tenderers is hereby accepted by our Agency.

You are requested to furnish the Performance Security within 30 days in accordance with the Conditions of Contract, using for that purpose the of the Performance Security Form included in Section X, Contract Forms, of the Tendering document.

Authorized Signature: \_\_\_\_\_

Name and Title of Signatory: \_\_\_\_\_

Name of Agency: \_\_\_\_\_

**Attachment: Contract Agreement**

## FORM NO. 4 - CONTRACT AGREEMENT

*[The successful tenderer shall fill in this form in accordance with the instructions indicated]*

THIS AGREEMENT made the \_\_\_\_\_ *[insert: number]* day of \_\_\_\_\_ *[insert: month]*, *[insert: year]*. BETWEEN (1) \_\_\_\_\_ *[insert complete name of Procuring Entity]* and having its principal place of business at *[insert: address of Procuring Entity]* (hereinafter called "Procuring Entity"), of the one part; and (2) \_\_\_\_\_ *[insert name of Supplier]*, a corporation incorporated under the laws of *[insert: country of Supplier]* and having its principal place of business at \_\_\_\_\_ *[insert: address of Supplier]* (hereinafter called "the Supplier"), of the other part.

1. WHEREAS the Procuring Entity invited Tenders for certain Goods and ancillary services, viz., \_\_\_\_\_  
\_\_\_\_\_ *[insert brief description of Goods and Services]* and has accepted a Tender by the Supplier for the supply of those Goods and Services, the Procuring Entity and the Supplier agree as follows:
  - i) In this Agreement words and expressions shall have the same meanings as are respectively assigned to them in the Contract documents referred to.
  - ii) The following documents shall be deemed to form and be read and construed as part of this Agreement. This Agreement shall prevail over all other contract documents.
    - a) the Letter of Acceptance
    - b) the Letter of Tender(form of tender)
    - c) the Addenda Nos. \_\_\_\_\_ (if any)
    - d) Special Conditions of Contract
    - e) General Conditions of Contract
    - f) the Specification (including Schedule of Requirements and Technical Specifications)
    - g) the completed Schedules (including Price Schedules)
    - h) any other document listed in GCC as forming part of the Contract
  - iii) In consideration of the payments to be made by the Procuring Entity to the Supplier as specified in this Agreement, the Supplier hereby covenants with the Procuring Entity to provide the Goods and Services and to remedy defects therein in conformity in all respects with the provisions of the Contract.
2. The Procuring Entity hereby covenants to pay the Supplier in consideration of the provision of the Goods and Services and the remedying of defects therein, the Contract Price or such other sum as may become payable under the provisions of the Contract at the times and in the manner prescribed by the Contract.
3. IN WITNESS whereof the parties hereto have caused this Agreement to be executed in accordance with the laws of Kenya on the day, month and year indicated above.

### **For and on behalf of the Procuring Entity**

Signed: \_\_\_\_\_ *[insert signature]*

in the capacity of \_\_\_\_\_ *[insert title or other appropriate designation]* In the presence of \_\_\_\_\_

\_\_\_\_\_ *[insert identification of official witness]* **For and on behalf of the Supplier**

Signed: \_\_\_\_\_ *[insert signature of authorized representative(s) of the Supplier]* in the capacity of \_\_\_\_\_

\_\_\_\_\_ *[insert title or other appropriate designation]* in the presence of \_\_\_\_\_

\_\_\_\_\_ *[insert identification of official witness]*

**FORM NO. 5 - PERFORMANCE SECURITY [Option 1 - Unconditional Demand Bank Guarantee]**

*[Guarantor letterhead]*

**Beneficiary:** \_\_\_\_\_ *[insert name and Address of Employer]*

**Date:** \_\_\_\_\_ *[Insert date of issue]*

**Guarantor:** \_\_\_\_\_ *[Insert name and address of place of issue, unless indicated in the letterhead]*

1. We have been informed that \_\_\_\_\_ (hereinafter called "the Contractor") has entered into Contract No. \_\_\_\_\_ dated \_\_\_\_\_ with *(name of Employer)* \_\_\_\_\_ (the Employer as the Beneficiary), for the execution of \_\_\_\_\_ (hereinafter called "the Contract").
2. Furthermore, we understand that, according to the conditions of the Contract, a performance guarantee is required.
3. At the request of the Contractor, we as Guarantor, hereby irrevocably undertake to pay the Beneficiary any sum or sums not exceeding in total an amount of \_\_\_\_\_ *(in words)*,<sup>1</sup> such sum being payable in the types and proportions of currencies in which the Contract Price is payable, upon receipt by us of the Beneficiary's complying demand supported by the Beneficiary's statement, whether in the demand itself or in a separate signed document accompanying or identifying the demand, stating that the Applicant is in breach of its obligation(s) under the Contract, without the Beneficiary needing to prove or to show grounds for your demand or the sum specified therein.
4. This guarantee shall expire, no later than the .... Day of ....., 2.....<sup>2</sup>, and any demand for payment under it must be received by us at the office indicated above on or before that date.
5. The Guarantor agrees to a one-time extension of this guarantee for a period not to exceed *[six months] [one year]*, in response to the Beneficiary's written request for such extension, such request to be presented to the Guarantor before the expiry of the guarantee."

---

*[Name of Authorized Official, signature(s) and seals/stamps]*

**Note: All italicized text (including footnotes) is for use in preparing this form and shall be deleted from the final product.**



**FORM No. 6 - PERFORMANCE SECURITY [Option 2– Performance Bond]**

*[Note: Procuring Entities are advised to use Performance Security – Unconditional Demand Bank Guarantee instead of Performance Bond due to difficulties involved in calling Bond holder to action]*

*[Guarantor letterhead or SWIFT identifier code]*

**Beneficiary:** \_\_\_\_\_ *[insert name and Address of*

*Employer] Date:* \_\_\_\_\_ *[Insert date of issue]*

**PERFORMANCE BOND No.:** \_\_\_\_\_

**Guarantor:** \_\_\_\_\_ *[Insert name and address of place of issue, unless indicated in the letterhead]*

1. By this Bond \_\_\_\_\_ as Principal (hereinafter called “the Contractor”) and \_\_\_\_\_] as Surety (hereinafter called “the Surety”), are held and firmly bound unto \_\_\_\_\_] as Obligee (hereinafter called “the Employer”) in the amount of \_\_\_\_\_ for the payment of which sum well and truly to be made in the types and proportions of currencies in which the Contract Price is payable, the Contractor and the Surety bind themselves, their heirs, executors, administrators, successors and assigns, jointly and severally, firmly by these presents.
2. WHEREAS the Contractor has entered into a written Agreement with the Employer dated the \_\_\_\_\_ day of \_\_\_\_\_, 20\_\_\_\_\_, for \_\_\_\_\_ in accordance with the documents, plans, specifications, and amendments thereto, which to the extent herein provided for, are by reference made part hereof and are hereinafter referred to as the Contract.
3. NOW, THEREFORE, the Condition of this Obligation is such that, if the Contractor shall promptly and faithfully perform the said Contract (including any amendments thereto), then this obligation shall be null and void; otherwise, it shall remain in full force and effect. Whenever the Contractor shall be, and declared by the Employer to be, in default under the Contract, the Employer having performed the Employer's obligations thereunder, the Surety may promptly remedy the default, or shall promptly:
  - 1) complete the Contract in accordance with its terms and conditions; or
  - 2) obtain a tender or tenders from qualified tenderers for submission to the Employer for completing the Contract in accordance with its terms and conditions, and upon determination by the Employer and the Surety of the lowest responsive Tenderers, arrange for a Contract between such Tenderer, and Employer and make available as work progresses (even though there should be a default or a succession of defaults under the Contract or Contracts of completion arranged under this paragraph) sufficient funds to pay the cost of completion less the Balance of the Contract Price; but not exceeding, including other costs and damages for which the Surety may be liable hereunder, the amount set forth in the first paragraph hereof. The term “Balance of the Contract Price,” as used in this paragraph, shall mean the total amount payable by Employer to Contractor under the Contract, less the amount properly paid by Employer to Contractor; or
  - 3) pay the Employer the amount required by Employer to complete the Contract in accordance with its terms and conditions up to a total not exceeding the amount of this Bond.
4. The Surety shall not be liable for a greater sum than the specified penalty of this Bond.
5. Any suit under this Bond must be instituted before the expiration of one year from the date of the issuing of the Taking-Over Certificate. No right of action shall accrue on this Bond to or for the use of any person or corporation other than the Employer named herein or the heirs, executors, administrators, successors, and assigns of the Employer.

6. In testimony whereof, the Contractor has hereunto set his hand and affixed his seal, and the Surety has caused these presents to be sealed with his corporate seal duly attested by the signature of his legal representative, this day \_\_\_\_\_ of \_\_\_\_\_ 20\_\_\_\_.

SIGNED ON \_\_\_\_\_ on behalf of \_\_\_\_\_

By \_\_\_\_\_ in the capacity of \_\_\_\_\_

In the presence of \_\_\_\_\_

SIGNED ON \_\_\_\_\_ on behalf of \_\_\_\_\_

By \_\_\_\_\_ in the capacity of \_\_\_\_\_

In the presence of \_\_\_\_\_

**FORM NO. 7 - ADVANCE PAYMENT SECURITY [Demand Bank Guarantee]**

[Guarantor letterhead]

**Beneficiary:** \_\_\_\_\_ [Insert  
name and Address of Employer]

**Date:** \_\_\_\_\_ [Insert date of issue]

**ADVANCE PAYMENT GUARANTEE No.:** \_\_\_\_\_ [Insert guarantee reference  
number]

**Guarantor:** [Insert name and address of place of issue, unless indicated in the letterhead]

1. We have been informed that \_\_\_\_\_ (hereinafter called "the Contractor") has entered into Contract No. \_\_\_\_\_ dated \_\_\_\_\_ with the Beneficiary, for the execution of \_\_\_\_\_ (hereinafter called "the Contract").

2. Furthermore, we understand that, according to the conditions of the Contract, an advance payment in the sum \_\_\_\_\_ (in words \_\_\_\_\_) is to be made against an advance payment guarantee.

3. At the request of the Contractor, we as Guarantor, hereby irrevocably undertake to pay the Beneficiary any sum or sums not exceeding in total an amount of \_\_\_\_\_ (in words \_\_\_\_\_)<sup>1</sup> upon receipt by us of the Beneficiary's complying demand supported by the Beneficiary's statement, whether in the demand itself or in a separate signed document accompanying or identifying the demand, stating either that the Applicant:

- (a) has used the advance payment for purposes other than the costs of mobilization in respect of the goods; or
- (b) has failed to repay the advance payment in accordance with the Contract conditions, specifying the amount which the Applicant has failed to repay.

4. A demand under this guarantee may be presented as from the presentation to the Guarantor of a certificate from the Beneficiary's bank stating that the advance payment referred to above has been credited to the Contractor on its account number \_\_\_\_\_ at \_\_\_\_\_.

5. The maximum amount of this guarantee shall be progressively reduced by the amount of the advance payment repaid by the Contractor as specified in copies of interim statements or payment certificates which shall be presented to us. This guarantee shall expire, at the latest, upon our receipt of a copy of the interim payment certificate indicating that ninety (90) percent of the Accepted Contract Amount, less provisional sums, has been certified for payment, or on the \_\_\_ day of \_\_\_\_\_, 2\_\_\_\_, <sup>2</sup> whichever is earlier. Consequently, any demand for payment under this guarantee must be received by us at this office on or before that date.

6. The Guarantor agrees to a one-time extension of this guarantee for a period not to exceed [six months] [one year], in response to the Beneficiary's written request for such extension, such request to be presented to the Guarantor before the expiry of the guarantee.

\_\_\_\_\_  
[Name of Authorized Official, signature(s) and seals/stamps]

<sup>1</sup>The Guarantor shall insert an amount representing the amount of the advance payment and denominated either in the currency of the advance payment as specified in the Contract.

<sup>2</sup> Insert the expected expiration date of the Time for Completion. The Employer should note that in the event of an extension of the time for completion of the Contract, the Employer would need to request an extension of this guarantee from the Guarantor. Such request must be in writing and must be made prior to the expiration date established in the guarantee.

*Note: All italicized text (including footnotes) is for use in preparing this form and shall be deleted from the final product.*

**FORM NO. 8- BENEFICIAL OWNERSHIP DISCLOSURE FORM**

**INSTRUCTIONS TO TENDERERS: DELETE THIS BOX ONCE YOU HAVE COMPLETED THE FORM**

*This Beneficial Ownership Disclosure Form (“Form”) is to be completed by the successful tenderer. In case of joint venture, the tenderer must submit a separate Form for each member. The beneficial ownership information to be submitted in this Form shall be current as of the date of its submission.*

*For the purposes of this Form, a Beneficial Owner of a Tenderer is any natural person who ultimately owns or controls the Tenderer by meeting one or more of the following conditions:*

- *Directly or indirectly holding 25% or more of the shares.*
- *Directly or in directly holding 25% or more of the voting rights.*
- *Directly or indirectly having the right to appoint a majority of the board of directors or equivalent governing body of the Tenderer.*

Tender Reference No.: \_\_\_\_\_ [insert identification

no] Name of the Assignment: \_\_\_\_\_ [insert name of the assignment]

to: \_\_\_\_\_ [insert complete name of Procuring Entity]

In response to your notification of award dated \_\_\_\_\_ [insert date of notification of award] to furnish additional information on beneficial ownership: \_\_\_\_\_ [select one option as applicable and delete the options that are not applicable]

I) We here by provide the following beneficial ownership information.

***Details of beneficial ownership***

<b>Identity of Beneficial Owner</b>	<b>Directly or indirectly holding 25% or more of the shares (Yes / No)</b>	<b>Directly or indirectly holding 25 % or more of the Voting Rights (Yes / No)</b>	<b>Directly or indirectly having the right to appoint a majority of the board of the directors or an equivalent governing body of the Tenderer (Yes / No)</b>
<i>[include full name (last, middle, first), nationality, country of residence]</i>			

OR

ii) *We declare that there is no Beneficial Owner meeting one or more of the following conditions: directly or indirectly holding 25% or more of the shares. Directly or indirectly holding 25% or more of the voting rights. Directly or indirectly having the right to appoint a majority of the board of directors or equivalent governing body of the Tenderer.*

OR

*We declare that we are unable to identify any Beneficial Owner meeting one or more of the following conditions. [If this option is selected, the Tenderer shall provide explanation on why it is unable to identify any Beneficial Owner]*

*Directly or indirectly holding 25% or more of the shares. Directly or indirectly holding 25% or more of the voting rights.*

*Directly or indirectly having the right to appoint a majority of the board of directors or equivalent governing body of the Tenderer]”*

*Name of the Tenderer: .....\*[insert complete name of the Tenderer]\_\_\_\_\_*

*Name of the person duly authorized to sign the Tender on behalf of the Tenderer: \*\* [insert complete name of person duly authorized to sign the Tender]*

*Title of the person signing the Tender: ..... [insert complete title of the person signing the Tender]*

*Signature of the person named above: ..... [insert signature of person whose name and capacity are shown above]*

*Date signed ..... [insert date of signing] day of..... [Insert month], [insert year]*