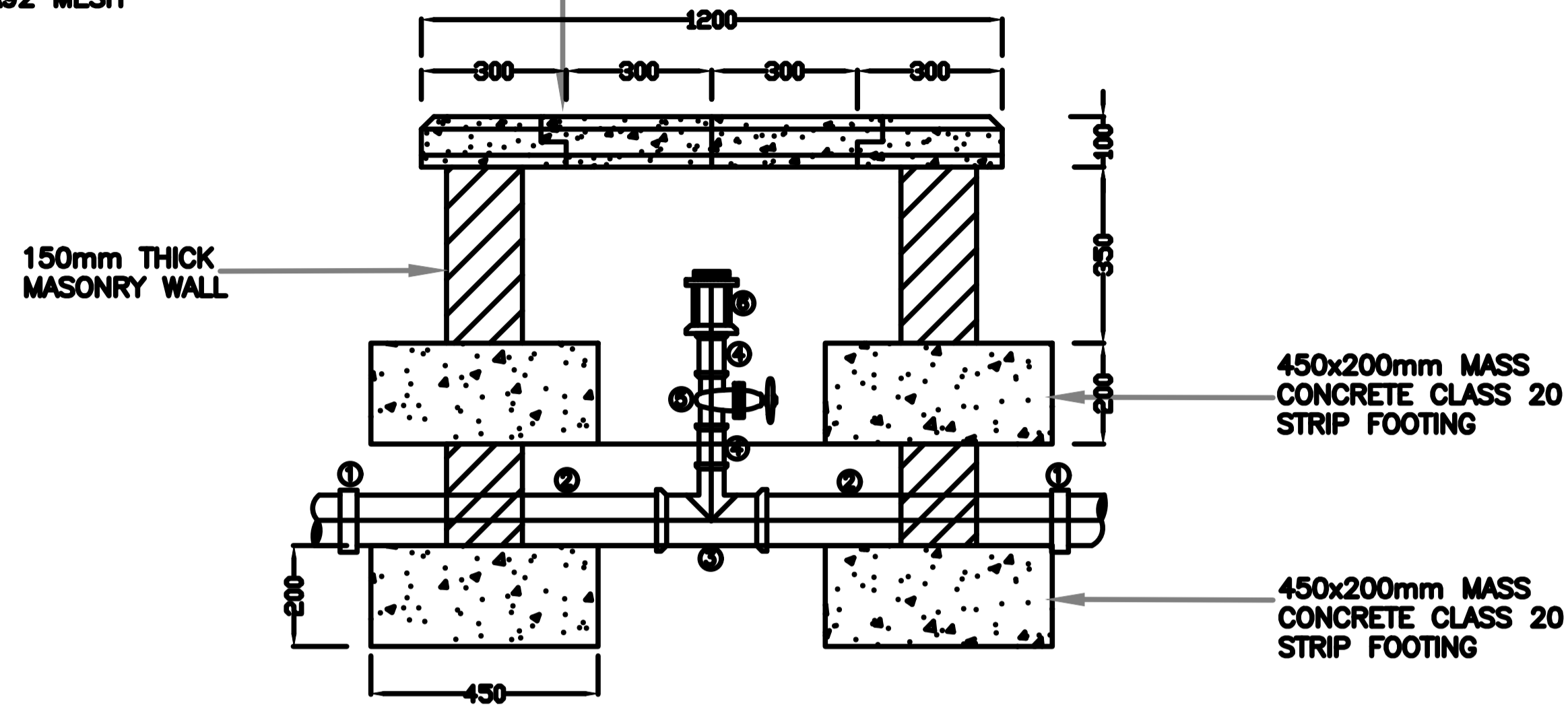
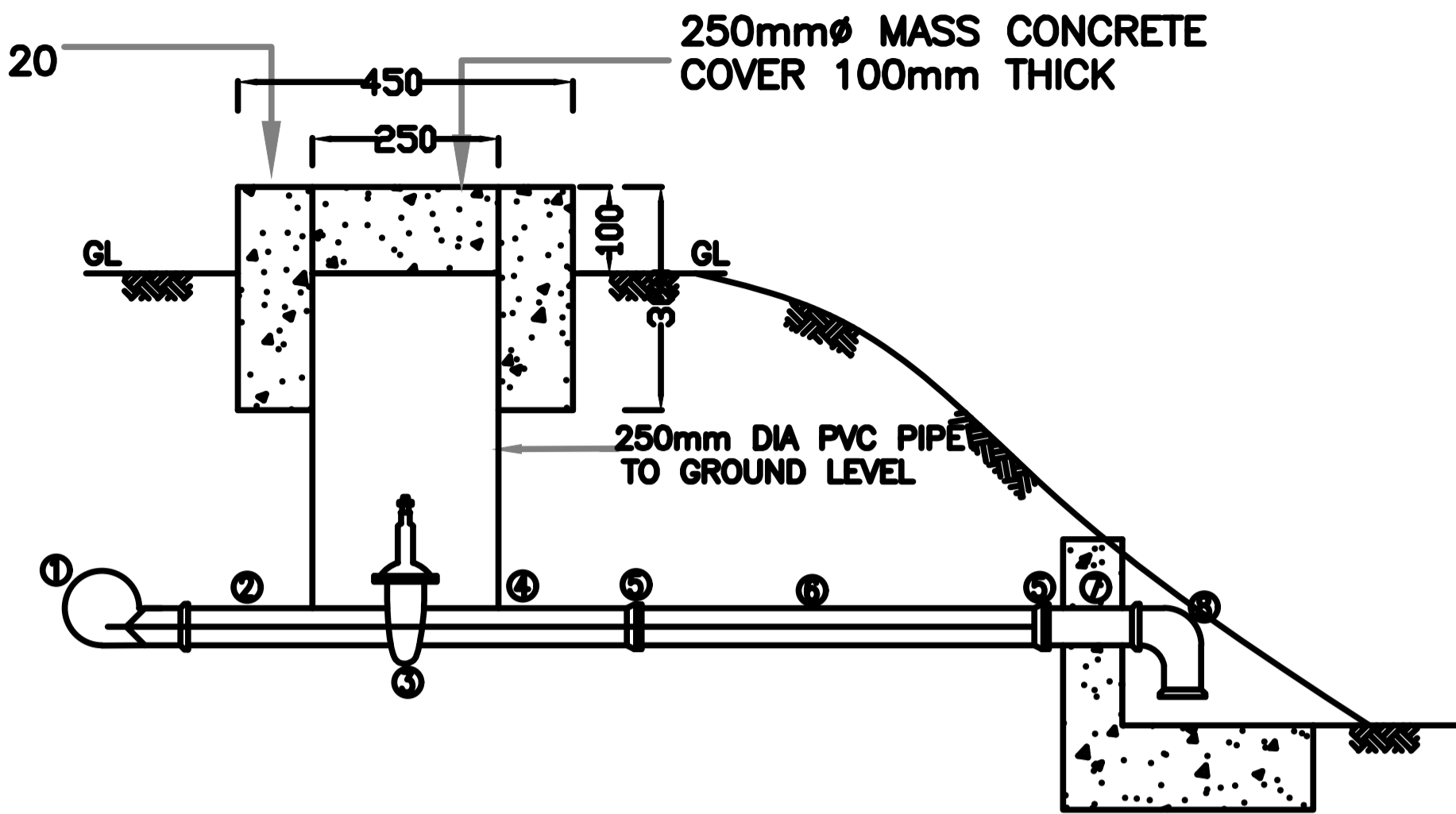


100mm THICK PRECAST
CONCRETE SLAB CLASS 20
WITH A92 MESH



SECTION A-A

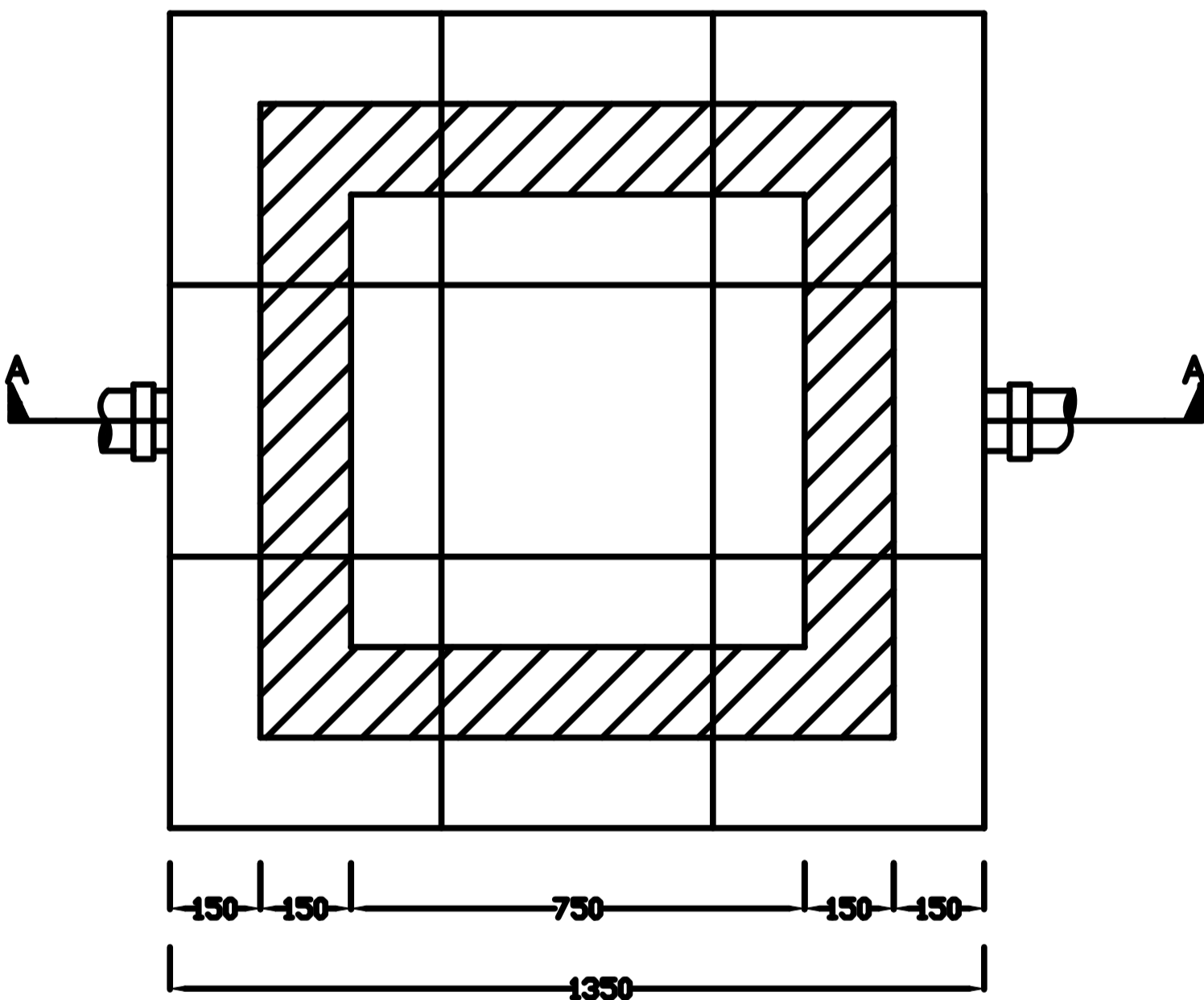
300mm THICK MASS
CONCRETE SLAB CLASS
SURROUNDING PIPE AT
GROUND LEVEL



SECTION B-B
ARRANGEMENT WITH NATURAL DRAINAGE

NOTES

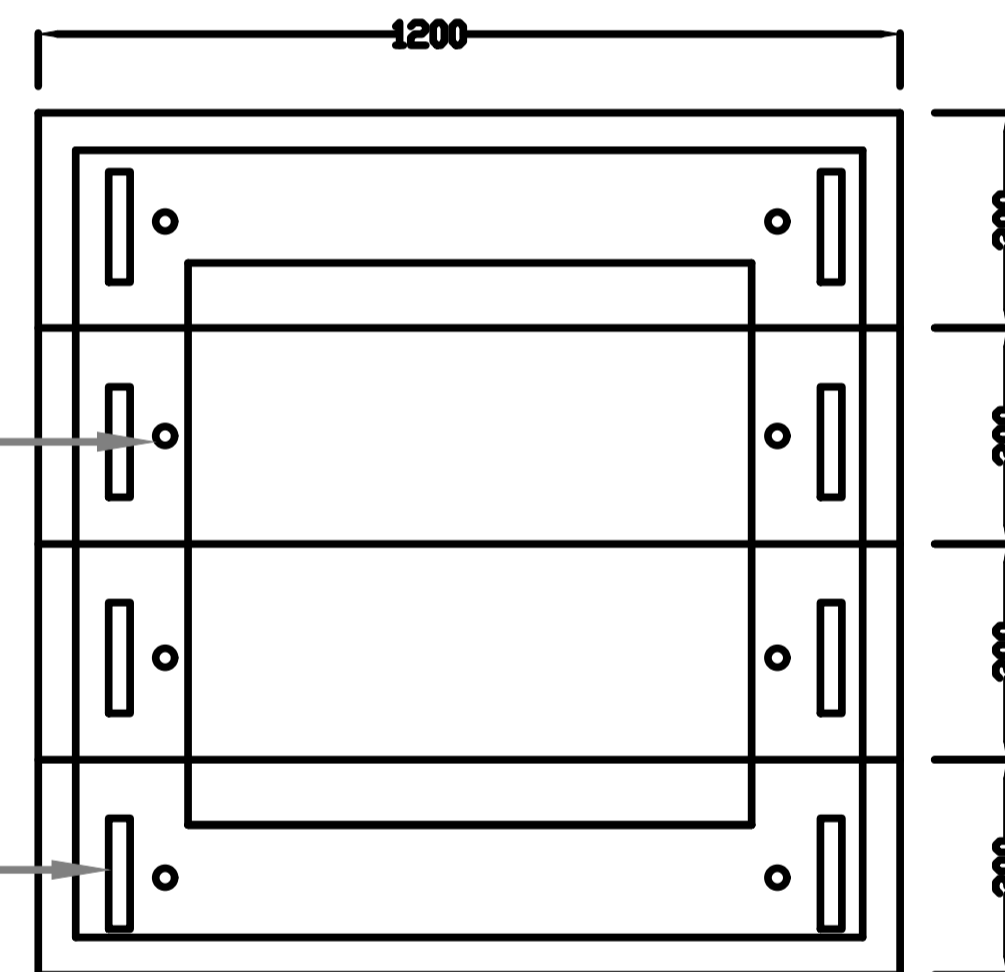
- OTHERWISE STATED
- CONFORM TO BS 4453
- 3. ALL FITTINGS TO BE STEEL/GI TO
- CHAMBER IS GREATER THAN 1.0m DEEP
- 5. CHAMBER TO BE BACKFILLED WITH 300mm THICK GRANULAR FILL
- 6. CHAMBER DEPTH DOES NOT EXCEED 3.5m
- 7. PRECAST CONCRETE TO BE CLASS 30/10
- 8. ACCESS COVER TO BE MEDIUM DUTY CAST IRON UNDER ROADS AND PRECAST REINFORCED CONCRETE ELSEWHERE.
- 9. CHAMBER ROOF SLAB LEVEL ABOVE FGL TO BE AS FOLLOWS
 - ROADS AND WALKWAYS = 25mm
 - VERGES = 300mm



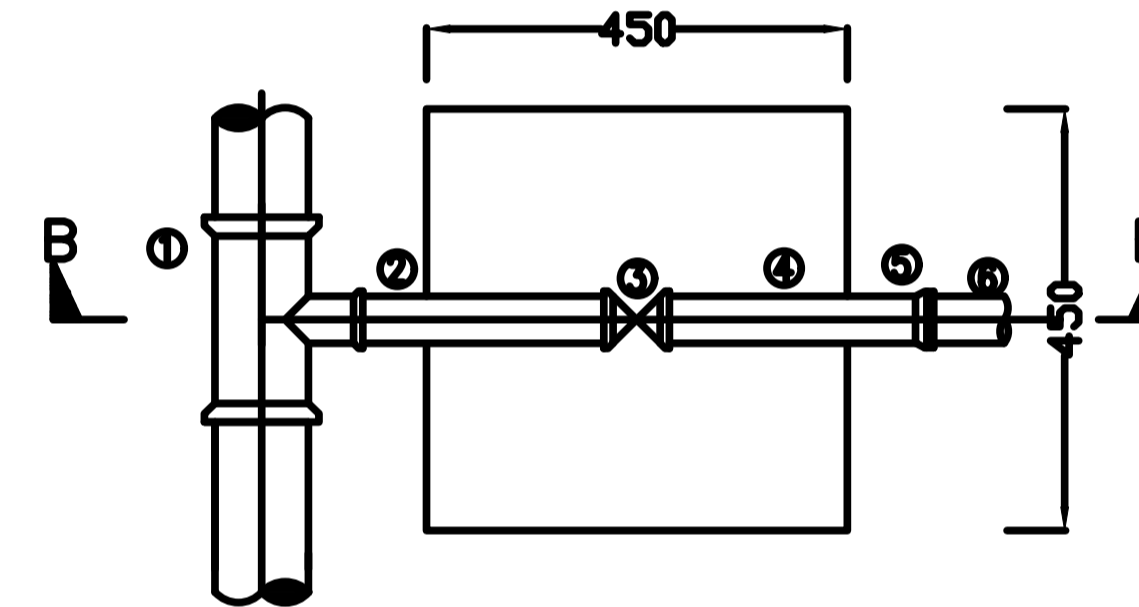
PLAN OF AIR VALVE CHAMBER

25mm ϕ PVC VENTS
(2 PER SECTION)

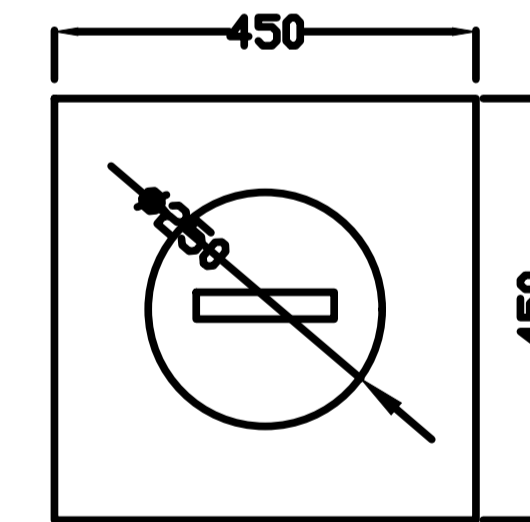
R12 LIFTING EYES
(2No. PER SECTION)



COVER PLAN
SCALE 1:20



WASHOUT CHAMBER
PLAN



COVER PLAN
SCALE 1:20

REF. NO.	DESCRIPTION	NO.
1	HDPE/GI ADAPTOR	2
2	GI FLANGED SPIGOT L=600mm	2
3	GI FLANGED REDUCING TEE	1
	GI FLANGED SPIGOT L=200mm	2
	GI FLANGED GATE VALVE WITH ISOLATED TEE	1
	CAST IRON DOUBLE ORIFICE AIRVALVE	1

SCHEDULE OF FITTINGS

REF. NO.	DESCRIPTION
1	DN150 X 100 INVERT LEVEL DOUBLE FLANGED BRANCH TEE
2	DN100 DOUBLE FLANGED SPIGOT 1.2 m LONG
3	DN100 DOUBLE FLANGED GATE VALVE
4	DN100 DOUBLE FLANGED SPIGOT PIPE PIECE L = 600mm
5	DN100 HDPE/GI ADAPTOR
6	DN100 hdpe DRAINAGE PIPE
7	DN100 GI SCREWDE SPIGOT PIECE
8	DN50 GI 90° BEND

SCHEDULE OF FITTINGS

REV	DESCRIPTION	BY	CHECKED	DATE
C				
B				
A				
0				

REV: R E V I S I O N S Drg. No. SIGN DATE APPROVED

CLIENT:



KIAMUCHERU MUBERETHI
RAW WATER GRAVITY MAINLINE
PROJECT

DESIGN FOR:

IMPROVEMENT OF WATER SUPPLY IN
KIAMUCHERU MUBERETHI RAW WATER GRAVITY MAINLINE
PROJECT

DESIGN FOR:

**KIAMUCHERU MUBERETHI
RAW WATER GRAVITY MAINLINE**

Designed by: MAWASCO Drawn by:

Checked by: Approved by:

TITLE:

AIR VALVE AND
WASHOUT CHAMBERS

Scale 1:40 Date: OCTOBER 2023

Job No. CAD FILE No.

T STATUS DRAWING No. MAWASCO/KM/02 REV